

Panel mount

Suitable for various whips

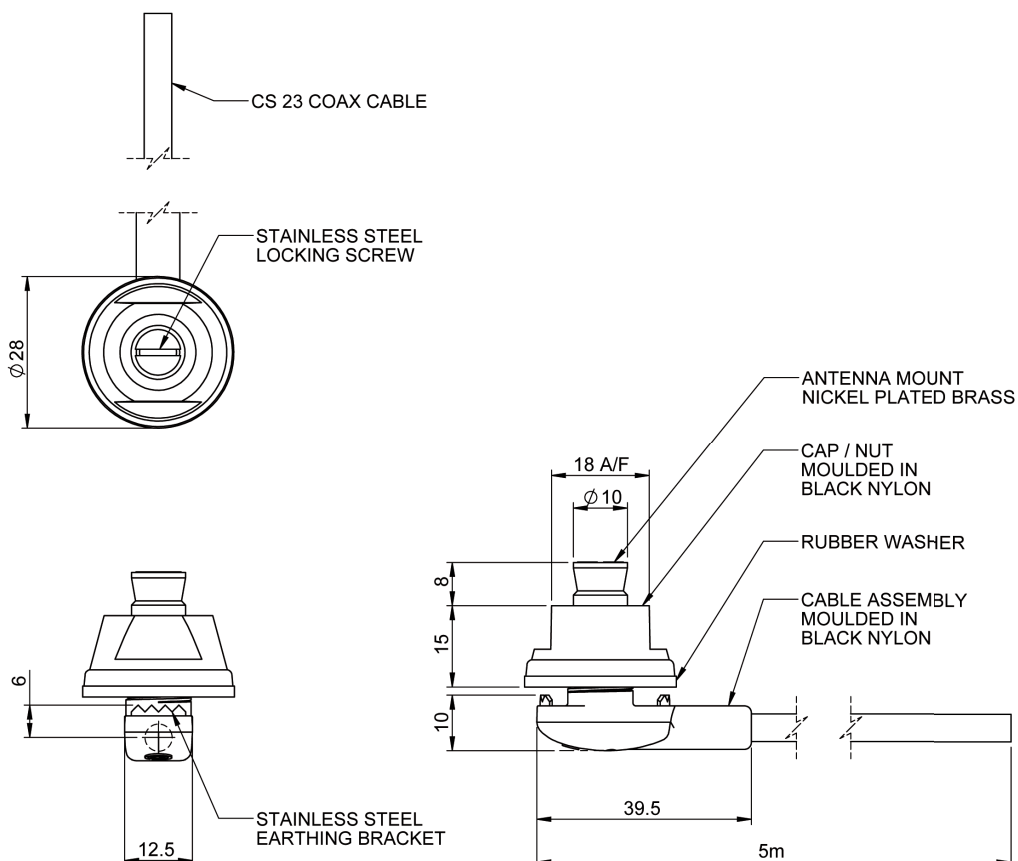
Interchangeable modular system

M8 is a range of modular panel mount bases which have become the industry standard in many parts of the world thanks to innovative design and high quality construction.

The base features stainless steel earthing teeth and a completely overmoulded construction with integrated sealing washer ensuring that the performance is not compromised by corrosion or damage over time.

The Panorama mounting system features a high degree of compatibility between whips and bases and allows the easy installation of different whips and modular components like hinge bases and shock mounts.

Technical Specification



Part Number		M8	M8-5F	M8-5B	M8-5SMAP
Mechanical Data					
Dimensions (mm)	Diameter	28 (1.1")			
	Height mounted	25 (0.9")			
Hole size (fit from outside) (mm)		18-19 (3/4")			
Hole size (fit from inside) (mm)		12.5 (0.5")			
Panel Thickness (mm)		0-4 (0-0.15")			
Colour		Black			
Cable Data					
Cable length (m)		5 (16')			
Cable type		CS23 (RG58 c/u)			
Diameter (mm)		5 (0.2")			
Termination	Bare end*	FME (f)	BNC (m)	SMA (m)	

* Other cable lengths and connectors available.



Panorama Antennas Ltd
Frogmore, London, SW18 1HF, United Kingdom

T: +44 (0)20 8877 4444
F: +44 (0)20 8877 4477
E: sales@panorama-antennas.com
www.panorama-antennas.com

Waiver: The data given above is indicative of the performance of the product/s under particular conditions and does not imply a guarantee of performance. These specifications are subject to change without notice.

Copyright © Panorama Antennas Ltd. All rights reserved.