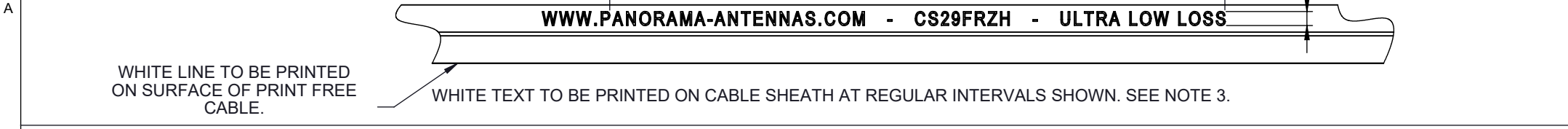


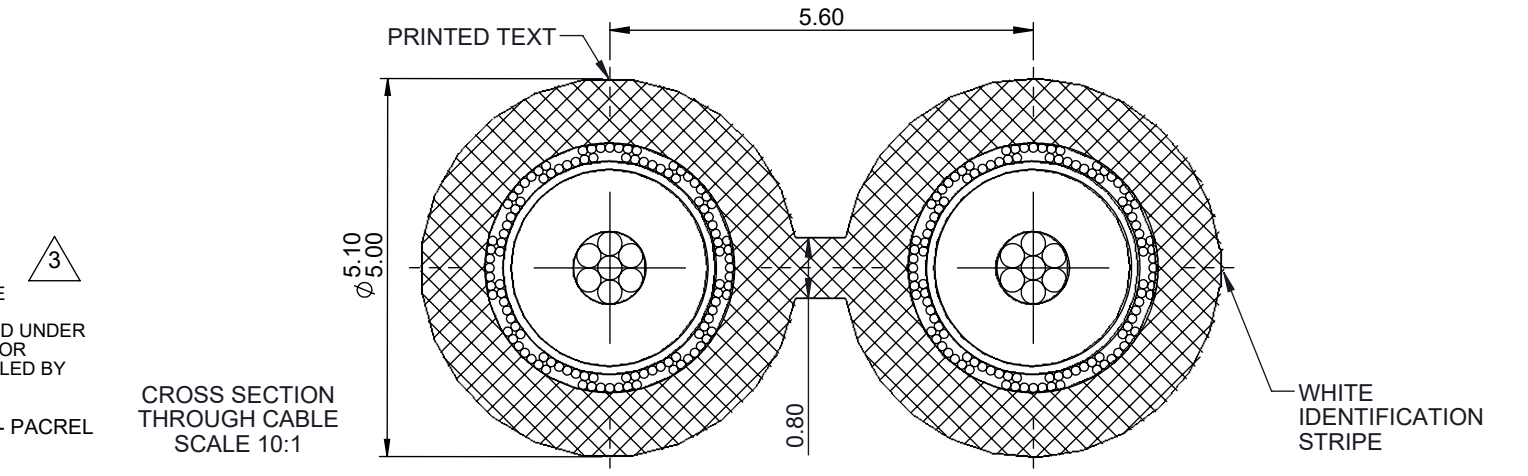
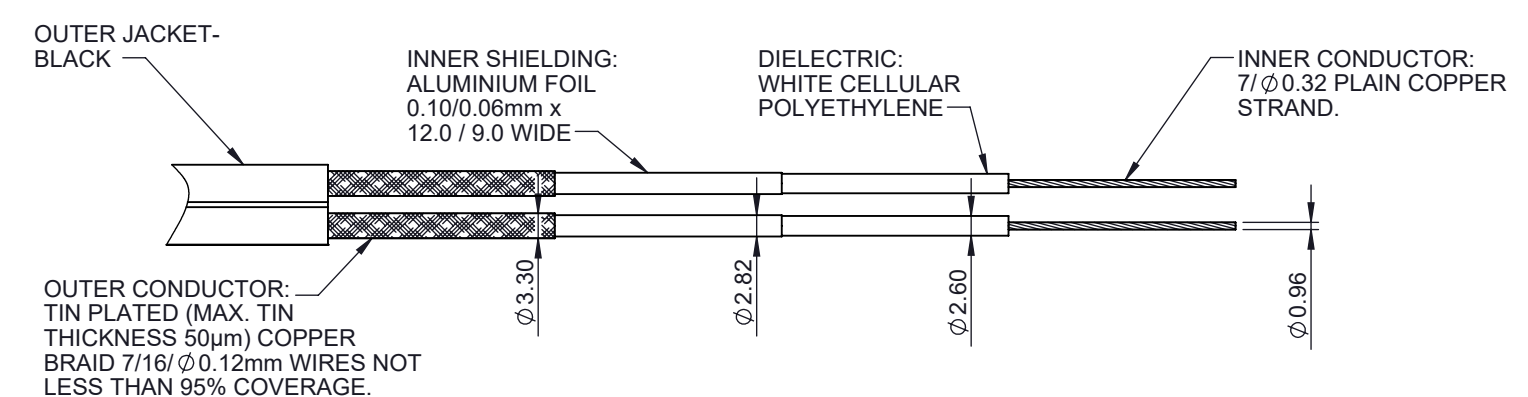
TOLERANCES UNLESS OTHERWISE STATED			
0 DEC. PLACE	±0.5	2 DEC. PLACES	±0.1
1 DEC. PLACE	±0.2	ANGULAR	±1°



- CABLE SPECIFICATION VALUES:**
- CHARACTERISTIC IMPEDANCE:-  
50Ω ±2Ω @ 1GHz  
50Ω ±4Ω @ 2GHz
  - ATTENUATION:-  
NO GREATER THAN 4dB PER 10m AT 1 GHz.  
NO GREATER THAN 5.5dB PER 10m AT 2GHz.
  - BRAID RESISTANCE PER 10m LESS THAN 160mΩ.
  - SHIELDING EFFECTIVENESS ACCORDING TO IEC61196 TO BE < -85dB AT 30-10000 MHZ.

- SPECIFICATION NOTES:**
- ELECTRICAL TEST - EACH CABLE. CENTRE CONDUCTOR/OUTER SCREEN ISOLATION 1KV MIN. CENTRE CONDUCTOR END TO END TEST.
  - TENSILE PULL TEST SAMPLE/ASSEMBLY PER 3000 BATCH. PULLING LOAD - CONNECTOR BODY - 5Kg. PULLING LOAD - CENTRE PIN - 2Kg.
  - CS29 CABLE PERFORMANCE TEST SAMPLE PER 10000 m BATCH. IMPEDANCE 50Ω ±2Ω @ 1GHz. & 50Ω ±4Ω @ 2GHz. LOSS NO GREATER THAN 0.4dB/m @ 1GHz. & 0.55dB/m @ 2GHz.

- GENERAL NOTES:-**
- ALL MATERIALS SUPPLIED MUST BE RoHS2 (DIRECTIVE 2011/65/EU) COMPLIANT AND MUST NOT CONTAIN ANY SUBSTANCES OF VERY HIGH CONCERN (SVHCs) LISTED UNDER REACH OR POLY-AROMATIC HYDROCARBONS (PAHs), OR PERSISTENT ORGANIC POLLUTANTS (POPs) CONTROLLED BY THE STOCKHOLM CONVENTION.
  - CABLE SHEATH TO BE BLACK, U.V. STABILISED TPE - PACREL FRP5385-1N.
  - PRINTING MUST BE DURABLE AND ENVIRONMENTALLY RESISTANT.
  - CONNECTORS MUST CONFORM TO STANDARD INTERFACE DIMENSIONS.
  - SAMPLES MUST BE APPROVED BY PANORAMA ANTENNAS Q.C. BEFORE COMMENCING PRODUCTION.
  - IN ORDER TO ASSURE COMPLIANCE WITH THE U.S. DODD-FRANK ACT (SECTION 1502) TIN, GOLD, TANTALUM & TUNGSTEN CONTAINED IN PANORAMA PRODUCTS MUST BE FULLY TRACEABLE TO A SMELTER APPROVED BY THE CONFLICT FREE SOURCING INITIATIVE (www.conflictreesmelter.org)



				PRODUCT/ASSEMBLY CABLES AND CABLE ASSEMBLIES		DESCRIPTION TWIN ULTRA LOW LOSS DOUBLE SHIELDED 50 Ω COAX CABLE FLAME RETARDANT, ZERO HALOGEN-BLACK			
				MATERIAL SEE DRAWING					
				FINISH SEE DRAWING					
01019	2	REDRAWN IN 2D, 3D CAD. NOTES UPDATED.	11/02/2014	RF	APPROVED: KD D.O.CHECK: IC SCALE: 1:1 DIMENSIONS IN mm				
01019	3	NOTES UPDATED WHERE INDICATED.	10/02/2017	AR	<b>PANORAMA ANTENNAS</b>				
PCN	REV.	DESCRIPTION	DATE	DRN.					