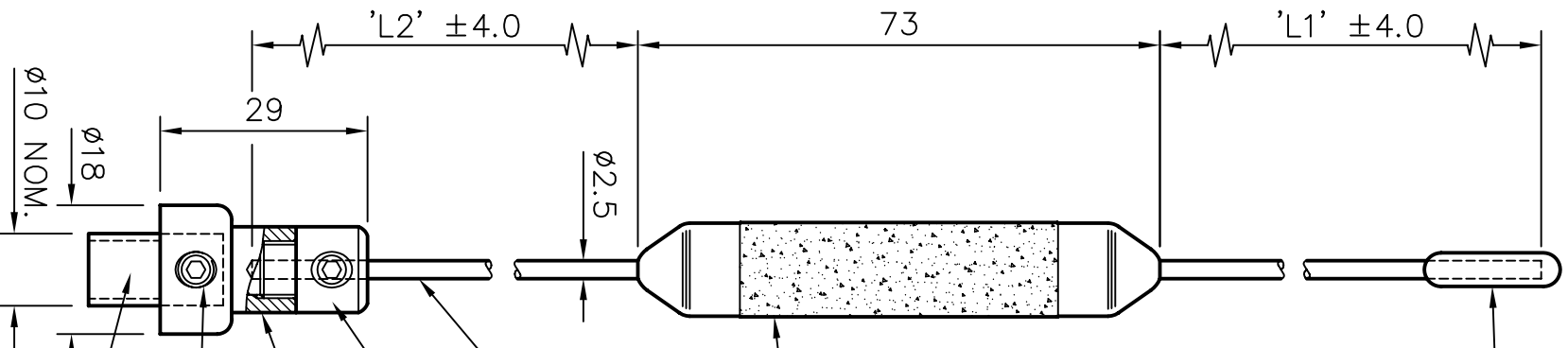




ACUB-VAR

DRG. No.

THIS IS A PROPRIETARY ITEM OF PANORAMA ANTENNAS LTD. AND COULD BE SUBJECT TO CHANGE WITHOUT PRIOR NOTICE. THIS ITEM IS RoHS COMPLIANT.



END TIP MADE FROM
BLACK ENGINEERING PLASTIC
- GLUED ON EXCEPT UNCU.T.

PART No.	'L1' TOP IN mm	'L2' BOTTOM IN mm	FREQUENCY RANGE IN MHZ
ACUB	479	231	UNCUT
ACUB-T1	444	215	400-430
ACUB-T2	416	194	420-456
ACUB-U	390	180	430-472
ACUB-S1	479	231	380-400
ACUB-S2	440	213	410-430
ACUB-460	322	177	450-470
ACUB-R2	525	258	350-370

PHASING COIL MOULDED OVER WITH BLACK ENGINEERING PLASTIC.

BOTH ELEMENTS ST. STEEL TYPE 17-7PH FINISHED IN BLACK.

UNSCREWABLE BRASS WHIP HOLDER FINISHED IN BLACK.

AV UNSCREWABLE BRASS BOTTOM FINISHED IN BLACK.

2 SOCKET SET SCREWS STAINLESS STEEL FINISHED IN BLACK.

NYLON TUBE TO PREVENT LOSS OF SCREW IN TRANSIT

△ — DENOTES LATEST ISSUE CHANGES

C/NOTE	ISSUE	DATE	SIGN.	TOLERANCES UNLESS OTHERWISE STATED	MATERIAL	TITLE	DRG. No.	FILENAME	1993	A4
01716	4	24.8.00	K.D.	±0.2		ANTENNA UHF 5DB GAIN BLACK	ACUB-VAR	ACUB-VAR	©	
00565	5	23.1.03	K.D.	±0.1						
01019	6	27.1.04	K.D.	±0.1						
01019	7	18.5.07	K.D.	±0.1						
01019	8	23.08.07	K.D.	±0.1						
01019	9	21.07.08	K.D.	SCALE 1:1		PANORAMA ANTENNAS LTD. LONDON				