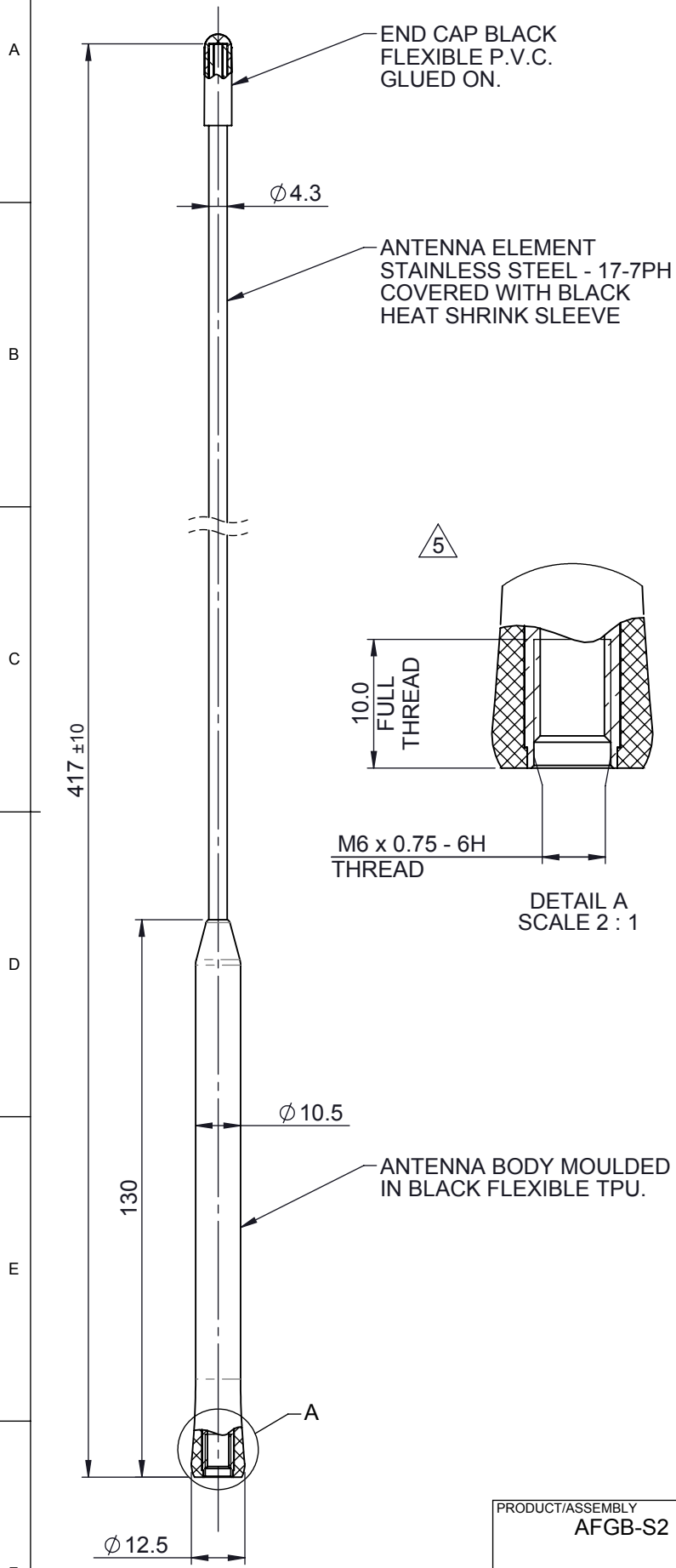


TOLERANCES UNLESS OTHERWISE STATED			
0 DEC. PLACE	±0.5	2 DEC. PLACES	±0.1
1 DEC. PLACE	±0.2	ANGULAR	±1°



5

NOTES:

1. COMPONENT TO BE FREE FROM DISTORTION, FLASH, SINK AND FLOW MARKS. COSMETIC SURFACES MUST BE FREE FROM BLEMISHES AND ALL OTHER SURFACE IMPERFECTIONS.
2. REFER TO 3D FILE FOR TOOL MANUFACTURE AND DETAILED DIMENSIONS.
3. GATE POSITION TO BE CONFIRMED BEFORE TOOL MANUFACTURE.
4. MATERIAL: FLEXIBLE TPU. ALTERNATIVE MATERIALS MUST BE APPROVED BY PANORAMA ANTENNAS.
5. COLOUR: SIGNAL BLACK (RAL 9005).
6. EXTERNAL FINISH: FINE SPARK TO 24 VDI (Ra 1.6µm).
7. INTERNAL FINISH: FINE MACHINE FINISH PERMITTED.
8. SAMPLES MUST BE APPROVED BY PANORAMA ANTENNAS Q.C. BEFORE COMMENCING PRODUCTION.
9. ALL MATERIALS SUPPLIED MUST BE RoHS COMPLIANT AND MUST NOT CONTAIN ANY SUBSTANCES OF VERY HIGH CONCERN (SVHCs) LISTED UNDER REACH OR POLY-AROMATIC HYDROCARBONS (PAHs), OR PERSISTENT ORGANIC POLLUTANTS (POPs) CONTROLLED BY THE STOCKHOLM CONVENTION.

PRODUCT/ASSEMBLY AFGB-S2		DESCRIPTION ANTENNA ELEMENT 3dB 410 - 430 MHz			
MATERIAL N/A		APPROVED KD	D.O.CHECK AR	SCALE 2:3	DIMENSIONS IN mm
FINISH N/A					
WEIGHT 41.48g					

01019	5	REDRAWN IN 2D AND 3D CAD. NOTES ADDED. VIEW ADDED.	16/06/2014	ATB
PCN	REV	DESCRIPTION	DATE	DRAWN
REVISIONS				