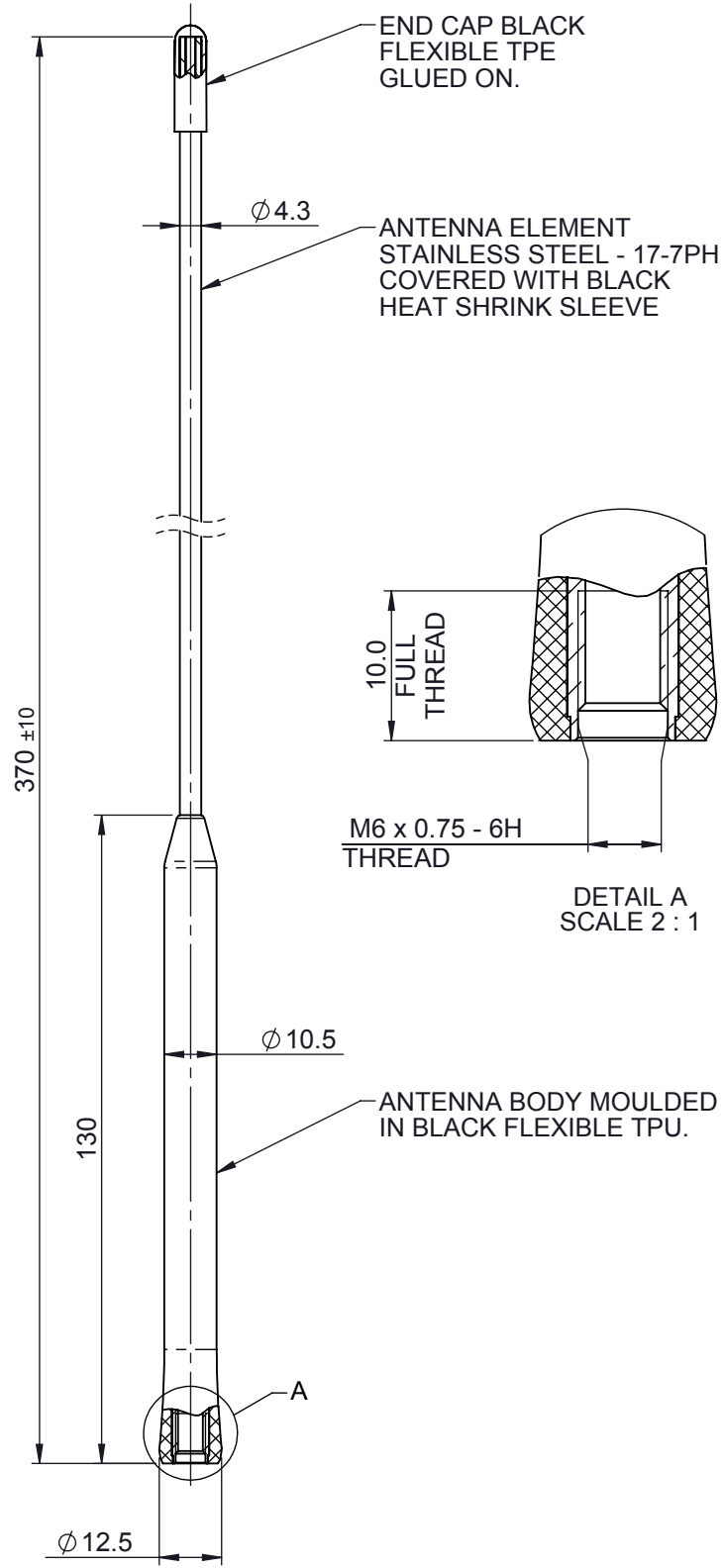


TOLERANCES UNLESS OTHERWISE STATED			
0 DEC. PLACE	±0.5	2 DEC. PLACES	±0.1
1 DEC. PLACE	±0.2	ANGULAR	±1°



- NOTES:
1. COMPONENT TO BE FREE FROM DISTORTION, FLASH, SINK AND FLOW MARKS. COSMETIC SURFACES MUST BE FREE FROM BLEMISHES AND ALL OTHER SURFACE IMPERFECTIONS.
 2. REFER TO 3D FILE FOR TOOL MANUFACTURE AND DETAILED DIMENSIONS.
 3. GATE POSITION TO BE CONFIRMED BEFORE TOOL MANUFACTURE.
 4. MATERIAL: FLEXIBLE TPU. ALTERNATIVE MATERIALS MUST BE APPROVED BY PANORAMA ANTENNAS.
 5. COLOUR: SIGNAL BLACK (RAL 9005).
 6. EXTERNAL FINISH: FINE SPARK TO 24 VDI (Ra 1.6µm).
 7. INTERNAL FINISH: FINE MACHINE FINISH PERMITTED.
 8. SAMPLES MUST BE APPROVED BY PANORAMA ANTENNAS Q.C. BEFORE COMMENCING PRODUCTION.
 9. ALL MATERIALS SUPPLIED MUST BE RoHS COMPLIANT AND MUST NOT CONTAIN ANY SUBSTANCES OF VERY HIGH CONCERN (SVHCs) LISTED UNDER REACH OR POLY-AROMATIC HYDROCARBONS (PAHs), OR PERSISTENT ORGANIC POLLUTANTS (POPs) CONTROLLED BY THE STOCKHOLM CONVENTION.

PRODUCT/ASSEMBLY WHIPS					DESCRIPTION ANTENNA ELEMENT 3dB 450 - 470 MHz						
MATERIAL SEE NOTES											
FINISH SEE NOTES					APPROVED	KD	D.O.CHECK	KD	SCALE	2:3	DIMENSIONS IN mm
01019	2	REDRAWN. NOTES UPDATED.	20/04/2016	PE							
PCN	REV.	DESCRIPTION	DATE	DRN	WEIGHT 39.04g	SHEET 1 OF 1					