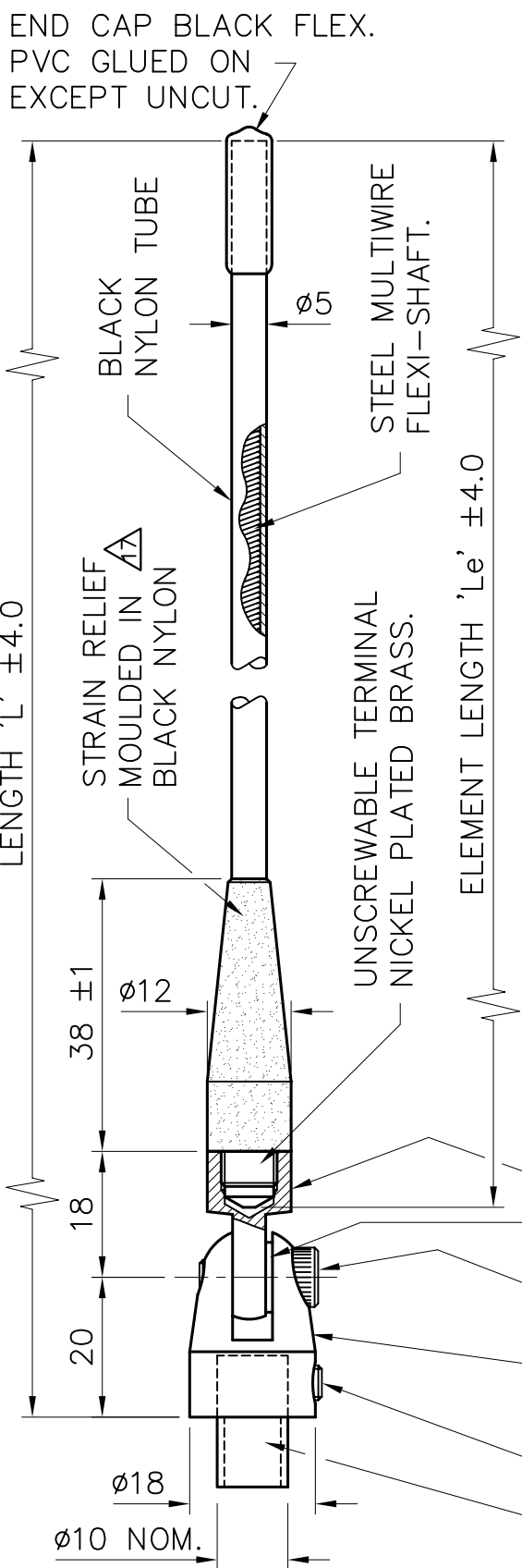


AFQHB-VAR

DRG. No.

THIS IS A PROPRIETARY ITEM OF PANORAMA ANTENNAS LTD. AND COULD BE SUBJECT TO CHANGE WITHOUT PRIOR NOTICE. THIS ITEM IS RoHS COMPLIANT.

— DENOTES LATEST ISSUE CHANGES



END CAP BLACK FLEX. PVC GLUED ON EXCEPT UNCUT.

BLACK NYLON TUBE

ø5

STEEL MULTIWIRE FLEXI-SHAFT.

LENGTH 'L' ±4.0

STRAIN RELIEF MOULDED IN BLACK NYLON

38 ± 1

ø12

UNSCREWABLE TERMINAL NICKEL PLATED BRASS.

ELEMENT LENGTH 'Le' ±4.0

18

20

ø18

ø10 NOM.

- BRASS HINGE FINISHED IN BLACK.
- FRICTION WASHER.
- SOCKET HEAD CAP SCREW ST. STEEL FINISHED IN BLACK.
- BRASS HINGE ADAPTOR FINISHED IN BLACK.
- SOCKET SET SCREW ST. STEEL FINISHED IN BLACK.
- NYLON TUBE TO PREVENT LOSS OF SCREW IN TRANSIT

PART No.	FREQ. RANGE IN MHz.	LENGTH 'L' IN mm	ELEMENT LENGTH 'Le' IN mm
AFQHB	UNCUT	530	500
AFQHB-H4	141-151	478	448
AFQHB-H5	149-159	455	425
AFQHB-H6	156-162	441	411
AFQHB-H7	162-174	418	388
AFQHB-JRC	139-157	471	441
AFQHB-K5	174-192	385	355
AFQHB-K6	192-208	355	325
AFQHB-K7	208-225	333	303
AFQHB-L	220-250	-	-
AFQHB-M	245-275	-	-
AFQHB-N	270-300	-	-
AFQHB-P	300-336	213	183
AFQHB-R	330-366	196	166
AFQHB-S	350-392	185	155
AFQHB-S1	380-400	176	146
AFQHB-S2	410-430	163	133
AFQHB-T	390-432	172	142
AFQHB-T2	420-456	158	128
AFQHB-U	430-472	153	123
AFQHB-W	470-512	143	113
AFQHB-UT	406-472	160	130
AFQHB-224	224	322	292
AFQHB-TET	380-430	174	144
AFQHB-R1	300-334	214	184
AFQHB-R2	350-370	190	160
AFQHB-S4	450-470	152	122
AFQHB-U2	450-512	146	116
AFQHB-H4A	138-155	476	446
AFQHB-H6A	155-174	427	397

01019	17	16.04.13	K.D.	TOLERANCES UNLESS OTHERWISE STATED ONE DEC. PLACE €0.2 TWO DEC. PLACES €0.1 DIMENSIONS IN mm SCALE 1:1	MATERIAL  FINISH	TITLE ANTENNA FLEXIBLE 1/4W HINGED - BLACK		
01019	16	31.01.13	K.D.					
01019	15	02.07.07	K.D.			DRAWN T.S. DO.CHECK A.J. FILENAME AFQHB-VAR		
01019	14	13.3.07	K.D.			DRG. No. AFQHB-VAR		
01019	13	31.1.07	K.D.					
00565	12	10.10.06	K.D.	PANORAMA ANTENNAS LTD. LONDON			© 1993	A4