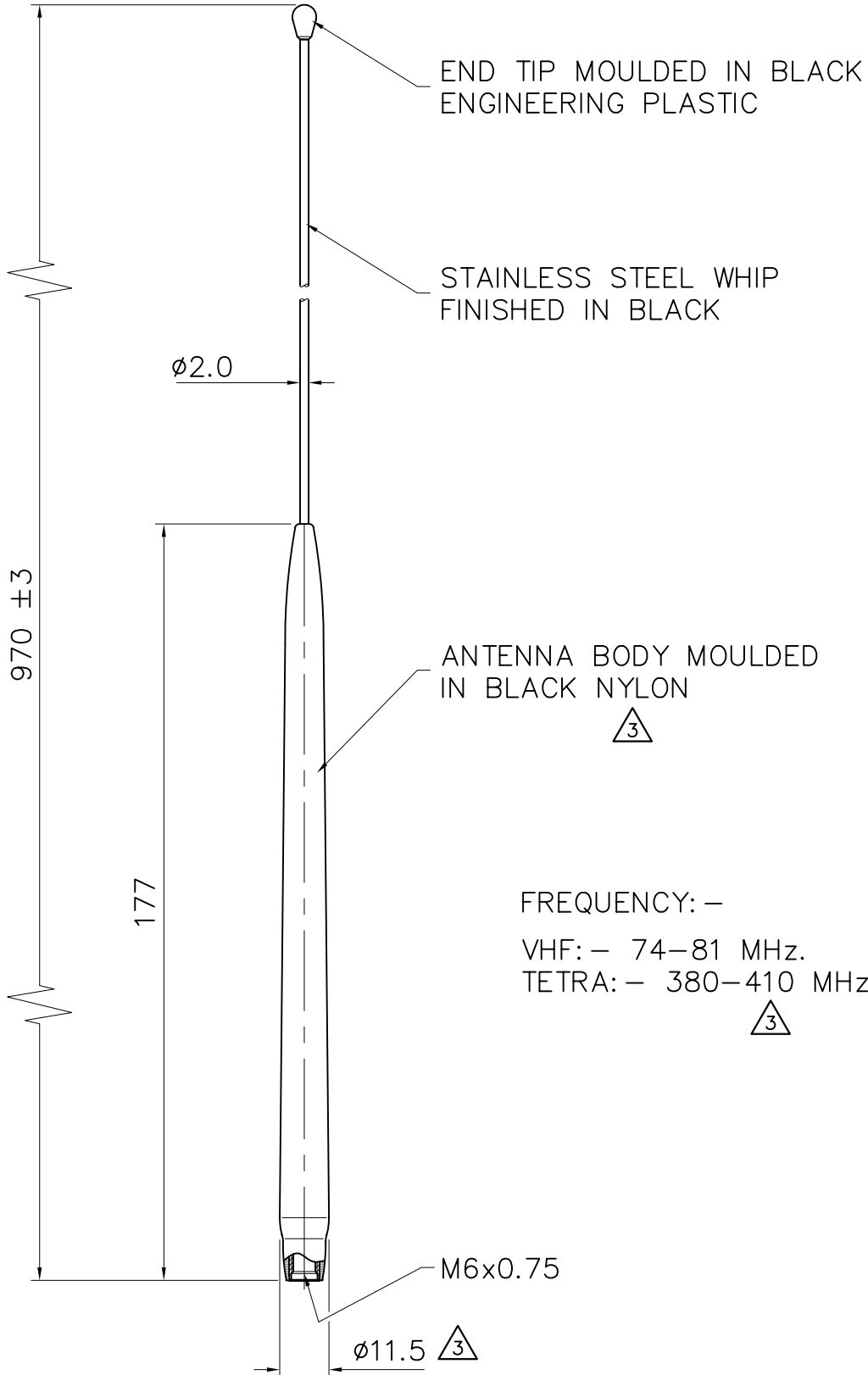


AS-E4-S1

DRG. No.

THIS IS A PROPRIETARY ITEM OF PANORAMA ANTENNAS LTD. AND COULD BE SUBJECT TO CHANGE WITHOUT PRIOR NOTICE. THIS ITEM IS ROHS COMPLIANT.

— DENOTES LATEST ISSUE CHANGES



01019	1	8.2.06	K.D.	TOLERANCES UNLESS OTHERWISE STATED 0 DEC. PLACE ±0.5 2 DEC. PLACES ±0.1 1 DEC. PLACE ±0.2 ANGULAR ±1°	
01019	2	9.12.08	K.D.		
01019	3	30.07.13	K.D.		
				DRAWN A.G.	DO.CHECK K.D.
				SCALE 2:3	DIMENSIONS IN mm
C/NOTE	ISSUE	DATE	APPROVAL	FILE AS-E4-S1	

TITLE: **DUAL BAND TETRA 380-410MHz. + 74-81MHz. ANTENNA** △3

MATERIAL	FINISH
----------	--------

PANORAMA ANTENNAS