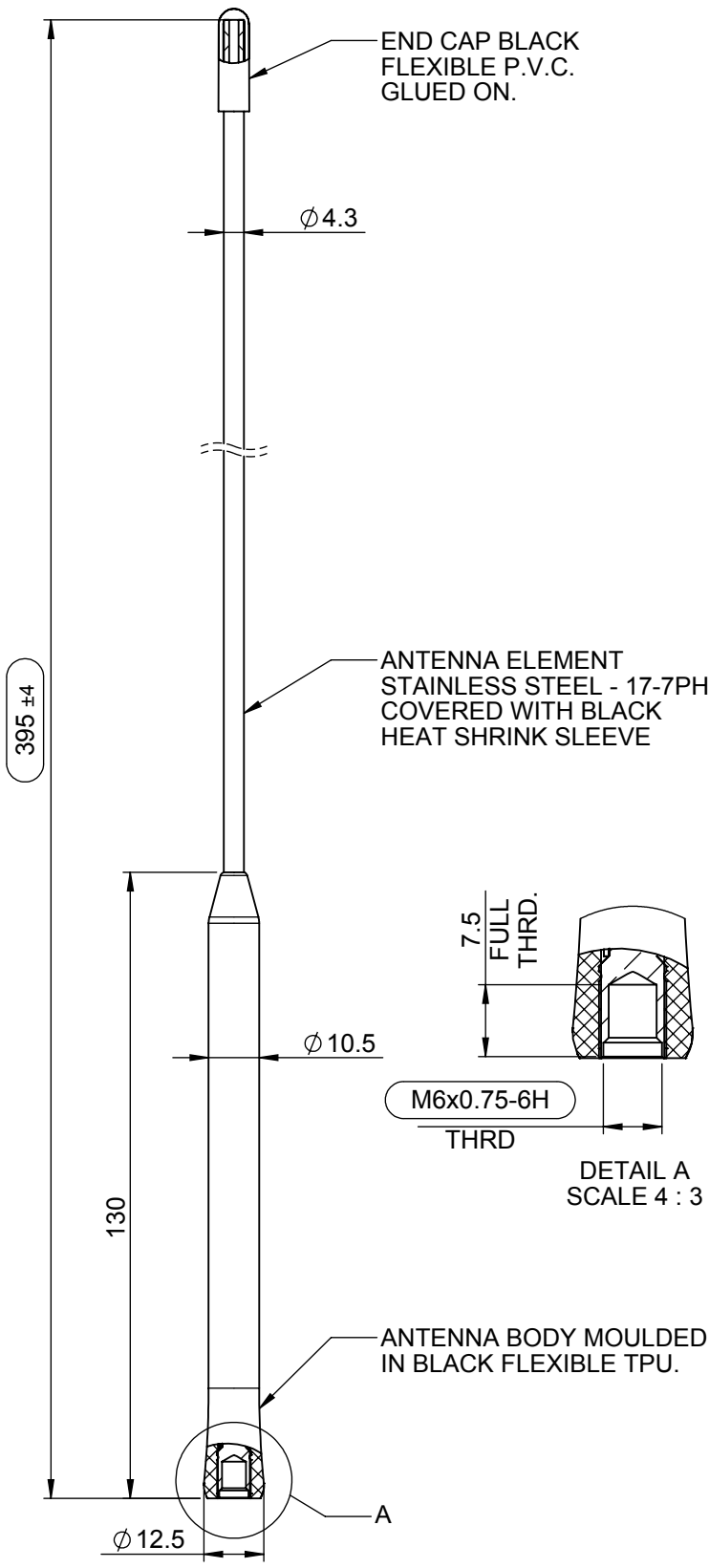


DENOTES CRITICAL VALUE	PROJECTION
TOLERANCES UNLESS OTHERWISE STATED	
0 DEC. PLACE ±0.5	2 DEC. PLACES ±0.1
1 DEC. PLACE ±0.2	ANGULAR ±1°



- NOTES:**
1. COMPONENT TO BE FREE FROM DISTORTION, FLASH, SINK AND FLOW MARKS. COSMETIC SURFACES MUST BE FREE FROM BLEMISHES AND ALL OTHER SURFACE IMPERFECTIONS.
  2. REFER TO 3D FILE FOR TOOL MANUFACTURE AND DETAILED DIMENSIONS.
  3. GATE POSITION TO BE CONFIRMED BEFORE TOOL MANUFACTURE.
  4. MATERIAL: FLEXIBLE TPU. ALTERNATIVE MATERIALS MUST BE APPROVED BY PANORAMA ANTENNAS.
  5. COLOUR: SIGNAL BLACK (RAL 9005).
  6. EXTERNAL FINISH: FINE SPARK TO 24 VDI (Ra 1.6µm).
  7. INTERNAL FINISH: FINE MACHINE FINISH PERMITTED.
  8. SAMPLES MUST BE APPROVED BY PANORAMA ANTENNAS Q.C. BEFORE COMMENCING PRODUCTION.
  9. ALL MATERIALS SUPPLIED MUST BE RoHS COMPLIANT AND MUST NOT CONTAIN ANY SUBSTANCES OF VERY HIGH CONCERN (SVHCs) LISTED UNDER REACH OR POLY-AROMATIC HYDROCARBONS (PAHs), OR PERSISTENT ORGANIC POLLUTANTS (POPs) CONTROLLED BY THE STOCKHOLM CONVENTION.

					PRODUCT/ASSEMBLY WHIPS	DESCRIPTION FLEXI 150-174/764-854MHz 0dB ANT			
					MATERIAL	N/A			
01019	A	INITIAL ISSUE	13/05/2016	AR					
01019	B	INTERNAL UPDATES.	27/05/2016	AR	FINISH	N/A			
01019	1	PRODUCTION ISSUE	14/06/2016	AR					
PCN	REV.	DESCRIPTION	DATE	DRN	WEIGHT 27.40g	APPROVED KD   D.O.CHECK PE   SCALE 2:3   DIMENSIONS IN mm			
					SHEET 1 OF 1				