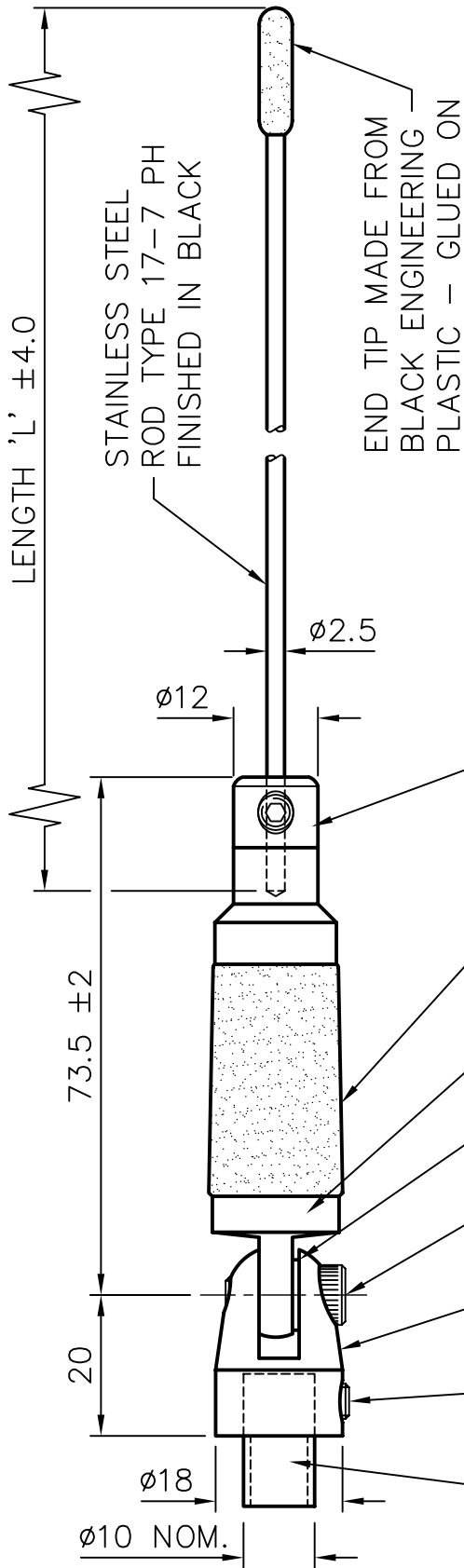


AVGHB-VAR

DRG. No.

THIS IS A PROPRIETARY ITEM OF PANORAMA ANTENNAS LTD. AND COULD BE SUBJECT TO CHANGE WITHOUT PRIOR NOTICE.

— DENOTES LATEST ISSUE CHANGES



PART No.	FREQUENCY RANGE IN MHz	LENGTH 'L' IN mm
AVGHB	UNCUT	1524
AVGHB-H4	141-151	1360
AVGHB-H5	149-159	1280
AVGHB-H6	156-162	1230
AVGHB-H7	162-174	1150
AVGHB-K5	174-192	1050
AVGHB-K6	192-208	942
AVGHB-K7	208-225	850
AVGHB-L	220-250	772
AVGHB-M	245-275	689
AVGHB-N	270-300	613
AVGHB-P	300-336	532
AVGHB-R	330-366	460

- UNSCREWABLE WHIP HOLDER
BRASS - FINISHED IN BLACK
- LOADING COIL MOULDED
OVER WITH BLACK
ENGINEERING PLASTIC
- COIL HINGE - BRASS
FINISHED IN BLACK
- FRICTION WASHER
- SOCKET HEAD CAP SCREW
ST. STEEL - FINISHED IN BLACK
- HINGE ADAPTOR - BRASS
FINISHED IN BLACK
- 2 SOCKET SET SCREWS
ST. STEEL - FINISHED IN BLACK
- NYLON TUBE TO PREVENT
LOSS OF SCREW IN TRANSIT

01078	4	4.2.95	K.D.	TOLERANCES UNLESS OTHERWISE STATED ONE DEC. PLACE ±0.2 TWO DEC. PLACES ±0.1	MATERIAL	TITLE ANTENNA HINGED 3dB GAIN - BLACK		
01078	5	25.8.95	A.J.					
00565	6	18.11.97	K.D.	DIMENSIONS IN mm	FINISH	DRAWN	DO.CHECK	FILENAME
01716	7	25.8.00	K.D.			T.S.	A.J.	AVGHB-VAR
01731	8	19.12.00	K.D.	SCALE 1:1	DRG. No. AVGHB-VAR			
00565	9	3.2.04	K.D.	PANORAMA ANTENNAS LTD. LONDON			© 1993	A4
C/NOTE	ISSUE	DATE	SIGN.					