



Product Data Sheet

Low Profile Antenna with GPS

TETRA UHF

Low Profile Antenna with GPS

LG

- Rugged design
- Heavy duty application
- Ground plane independent

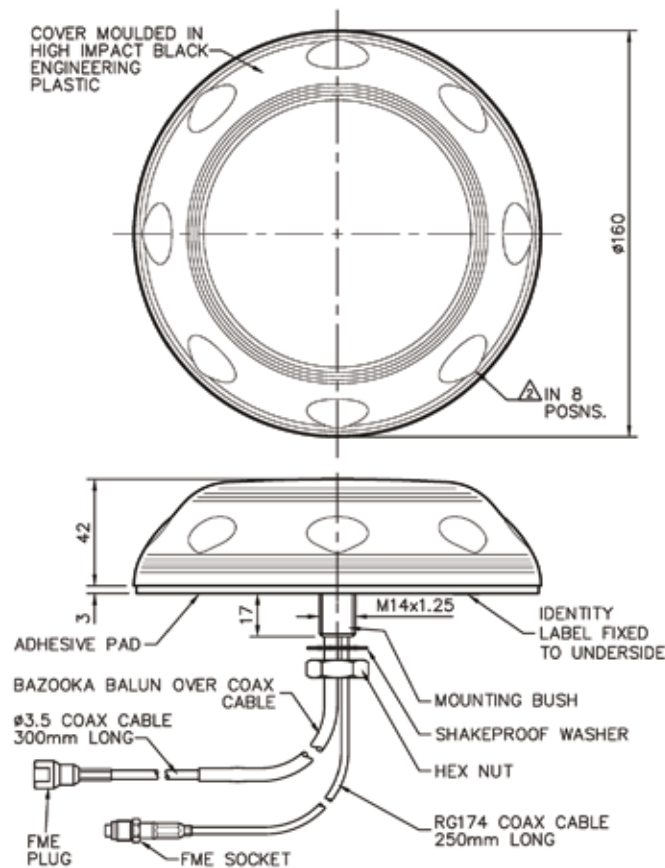


The Panorama low profile antenna range has been designed to perform under extreme pressure. The outer housing is designed to withstand high impacts while maintaining its functionality.

The antenna does not require a metallic ground plane, and maintains the same great performance when mounted on any surface.

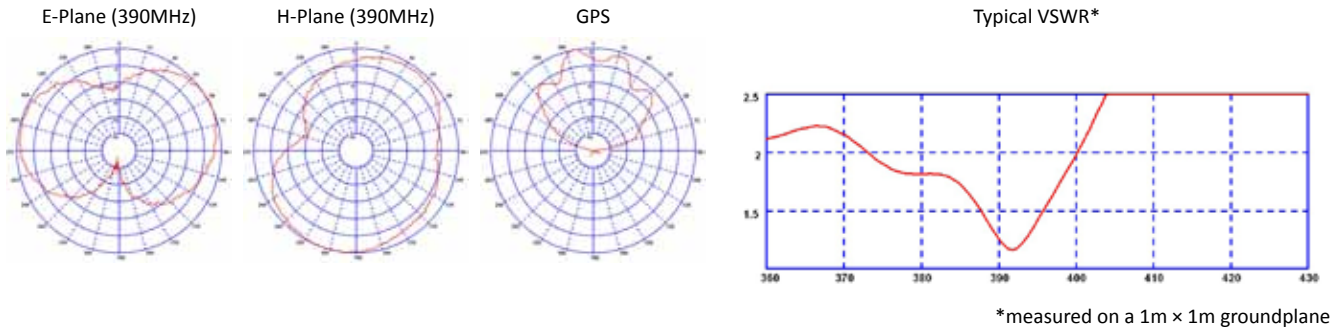
An excellent solution for demanding applications in transportation.

Technical Drawing



TETRA UHF

Low Profile Antenna with GPS



Part No.		LG390
Electrical Data		
Frequency Range (MHz)	380-400	
Operational Band	S1	
Gain: Isotropic	0dBi	
Compared to ¼ wave	-2dB	
Bandwidth @ 2:1 VSWR	5%	
Polarisation	Vertical	
Pattern	Omni-directional	
Impedance	50Ω	
Max Input Power (W)	20	
GPS Data		
Frequency Range (MHz)	1575	
VSWR	<2.0:1 ± 4MHz	
Gain: LNA	26dB	
Polarisation	Right Hand Circular	
Operating Voltage	3 - 7V DC (fed via coax)	
Current	Typical 14mA	
Mechanical Data		
Dimensions (mm)	Height	42
	Diameter	160
Operating Temp (°C)	-40° / +80°C	
Material	Engineering plastic	
Colour	Black	
Mounting Data		
Fixing	Panel mount	
Mounting hole size (mm)	15	
Cable Data		
GPS Cable	Type	RG174
	Thickness (mm)	2.8
	Length (m)	0.25
	Termination	FME socket
Comms Cable	Type	CS35
	Thickness (mm)	3.5
	Termination	FME Plug

Panorama Antennas Ltd
Frogmore, London, SW18 1HF, United Kingdom

T: +44 (0)20 8877 4444
F: +44 (0)20 8877 4477

E: sales@panorama-antennas.com
www.panorama-antennas.com

PANORAMA  ANTENNAS