

DRG. WMM8G-7-27-03NJ  
No.

© 2014 A4

THIS DOCUMENT MUST NOT BE COPIED OR DISCLOSED TO A THIRD PARTY WITHOUT THE WRITTEN CONSENT OF PANORAMA ANTENNAS LTD.

DO NOT SCALE

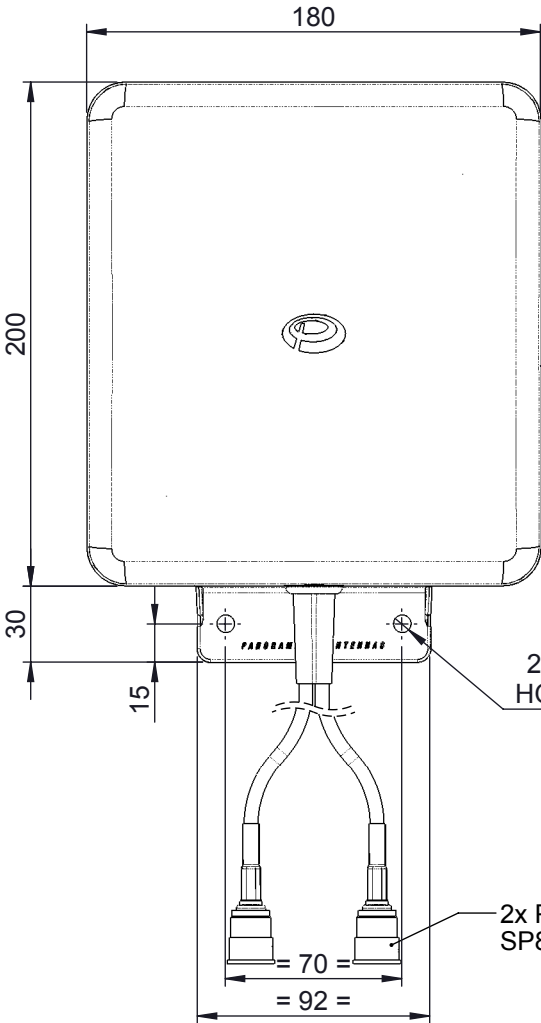
△ DENOTES LATEST ISSUE CHANGES

○ DENOTES CRITICAL VALUE

PROJECTION

TOLERANCES UNLESS OTHERWISE STATED			
0 DEC. PLACE	±0.5	2 DEC. PLACES	±0.1
1 DEC. PLACE	±0.2	ANGULAR	±1°

A  
B  
C  
D  
E  
F

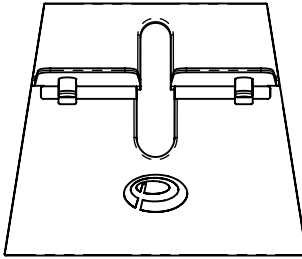
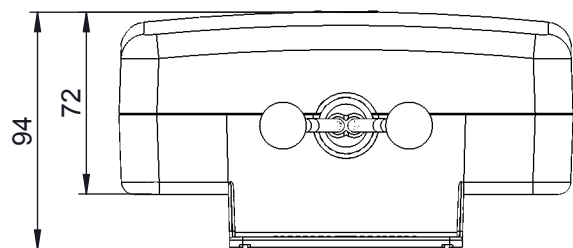


ANTENNA HOUSING WHITE ASA

2 x Ø7 FIXING HOLES FOR M6

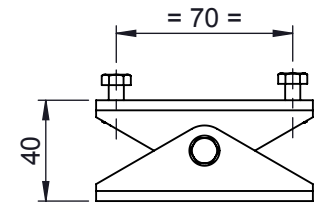
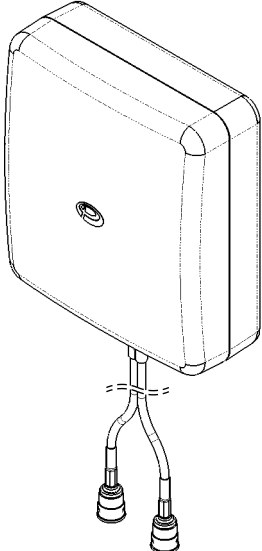
CS29 LOW LOSS CABLES 0.3m LONG WITH 'N' SOCKET CONNECTORS

2x PROTECTIVE CAP SP8-0666

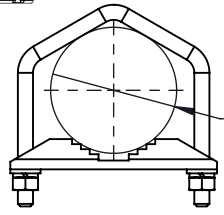


DESK STAND SUPPLIED LOOSE

ISO VIEW SCALE 1:5



WALL MOUNT BRACKET SUPPLIED LOOSE



MAST MOUNT BRACKET SUPPLIED LOOSE

Ø 50 NOMINAL CLAMPING

NOTES:

- SAMPLES MUST BE APPROVED BY PANORAMA ANTENNAS Q.C. BEFORE COMMENCING PRODUCTION.
- ALL PARTS MUST BE RoHS COMPLIANT AND MUST NOT CONTAIN ANY SUBSTANCES OF VERY HIGH CONCERN (SVHCs) LISTED UNDER REACH OR POLY-AROMATIC HYDROCARBONS (PAHs), OR PERSISTENT ORGANIC POLLUTANTS (POPs) CONTROLLED BY THE STOCKHOLM CONVENTION.

PRODUCT/ASSEMBLY		DESCRIPTION			
MiMo & DIVERSITY ANTENNAS		GAIN MIMO ANTENNA 698-960/1710-2700 MHz 0.3m CABLES N SOCKETS			
MATERIAL		APPROVED			
N/A		KD	D.O.CHECK IC	SCALE 1:3	DIMENSIONS IN mm
FINISH		SHEET 1 OF 1			
N/A		PANORAMA ANTENNAS			
WEIGHT 955g					

PCN	REV	DESCRIPTION	DATE	DRAWN
01019	2	CABLE ORIENTATION UPDATED.	26/11/2015	AR
01019	1	PRODUCTION ISSUE	15/09/2015	AR

REVISIONS