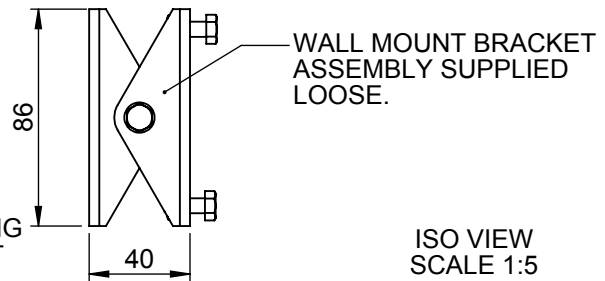
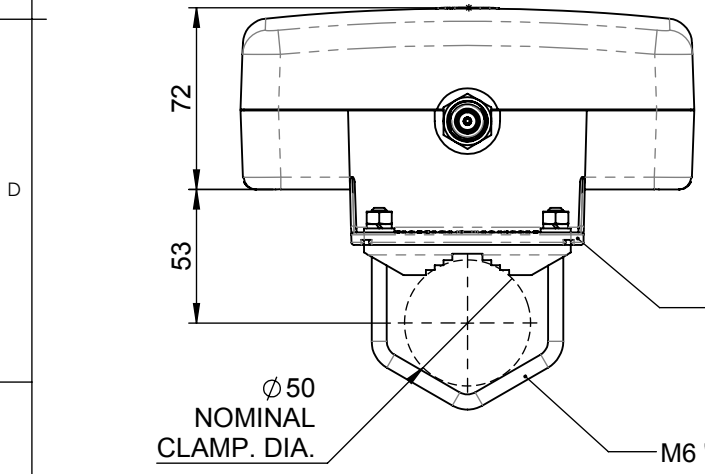
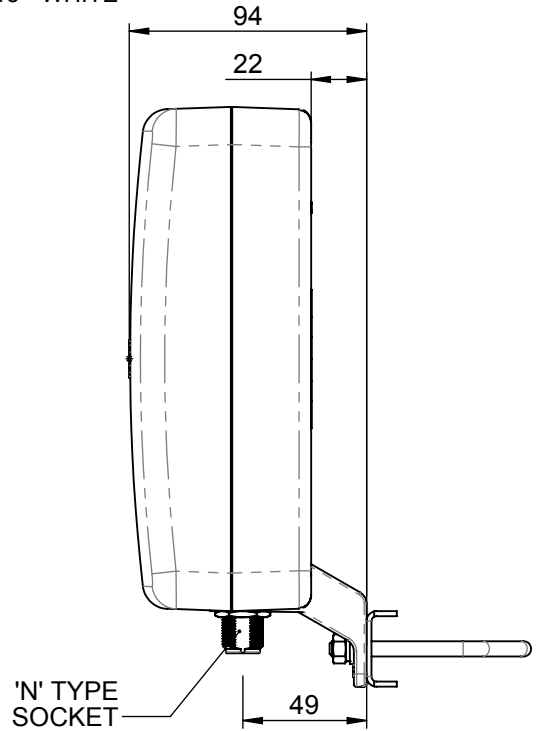
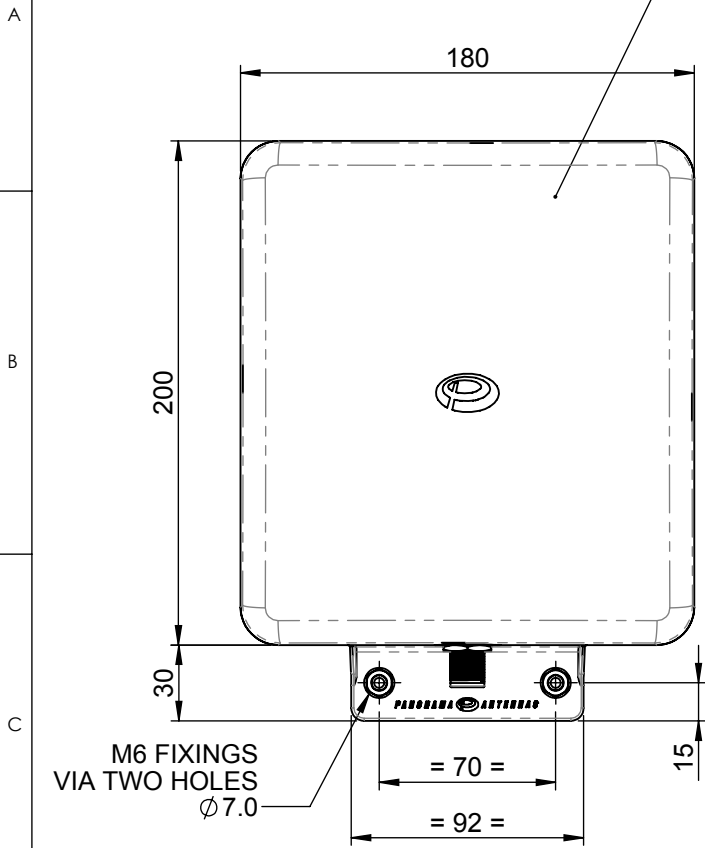
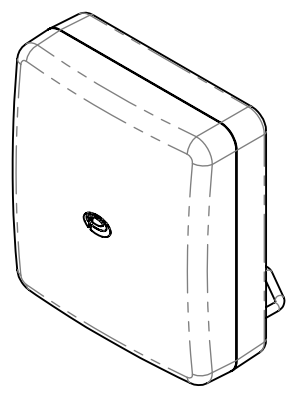


TOLERANCES UNLESS OTHERWISE STATED			
0 DEC. PLACE	±0.5	2 DEC. PLACES	±0.1
1 DEC. PLACE	±0.2	ANGULAR	±1°

ANTENNA HOUSING
ASA/PC- GELOY
XTPMFR15 - WHITE



ISO VIEW
SCALE 1:5



- NOTES:
- THIS IS A LOW PIM PRODUCT.
 - SAMPLES MUST BE APPROVED BY PANORAMA ANTENNAS Q.C. BEFORE COMMENCING PRODUCTION.
 - ALL PARTS MUST BE RoHS COMPLIANT AND MUST NOT CONTAIN ANY SUBSTANCES OF VERY HIGH CONCERN (SVHCs) LISTED UNDER REACH OR POLY-AROMATIC HYDROCARBONS (PAHs), OR PERSISTENT ORGANIC POLLUTANTS (POPs) CONTROLLED BY THE STOCKHOLM CONVENTION.

PRODUCT/ASSEMBLY CONSUMER WIRELESS PRODUCTS					DESCRIPTION WALL MOUNT ANTENNA. N-SOCKET WITH MOUNTING BRACKETS.			
MATERIAL HOUSING-ASA/PC-GELOY XTPMFR15					APPROVED JJ			
FINISH COLOUR-WHITE					D.O.CHECK ATB		SCALE 1:3	
WEIGHT 646.33 g					DIMENSIONS IN mm			
SHEET 1 OF 1								
REVISIONS								