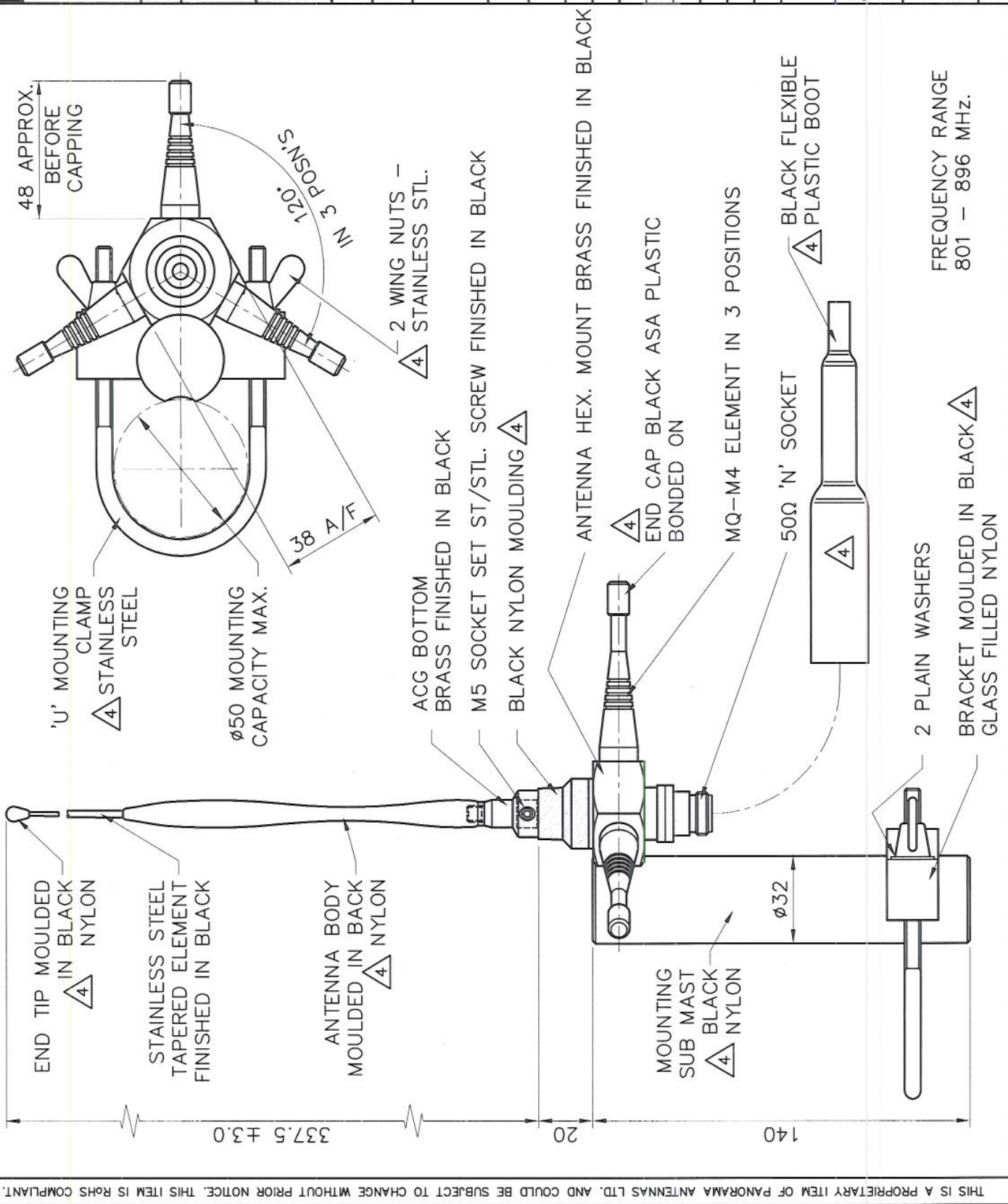


DRG. No.		BS800	
TITLE			
AMPS CELLULAR GROUND PLANE ANTENNA ASSY.			
DRAWN	A.G.	DO-CHECK	A.J.
MATERIAL			
FINISH			
DIMENSIONS IN mm		SCALE	1:2
FILE			
BS800			
TOLERANCES UNLESS OTHERWISE STATED			
0 DEC. PLACE ±0.5 2 DEC. PLACES ±0.1			
1 DEC. PLACE ±0.2 ANGULAR ±1°			
DO NOT SCALE	PROJECTION		
C/NOTE	ISSUE	DATE	APPROVAL
00565	1	25.7.97	A.J.
01019	2	18.1.05	K.D.
01019	3	20.08.07	K.D.
01019	4	07.06.16	
- DENOTES LATEST ISSUE CHANGES			
PANORAMA ANTENNAS LTD. LONDON			
THIS DOCUMENT MUST NOT BE COPIED OR DISCLOSED TO A THIRD PARTY WITHOUT THE WRITTEN CONSENT OF PANORAMA ANTENNAS LTD.			
© 1997			A4



THIS IS A PROPRIETARY ITEM OF PANORAMA ANTENNAS LTD. AND COULD BE SUBJECT TO CHANGE WITHOUT PRIOR NOTICE. THIS ITEM IS RoHS COMPLIANT.