

# P25

## Elevated Gain Antenna

04/04/2016 v3



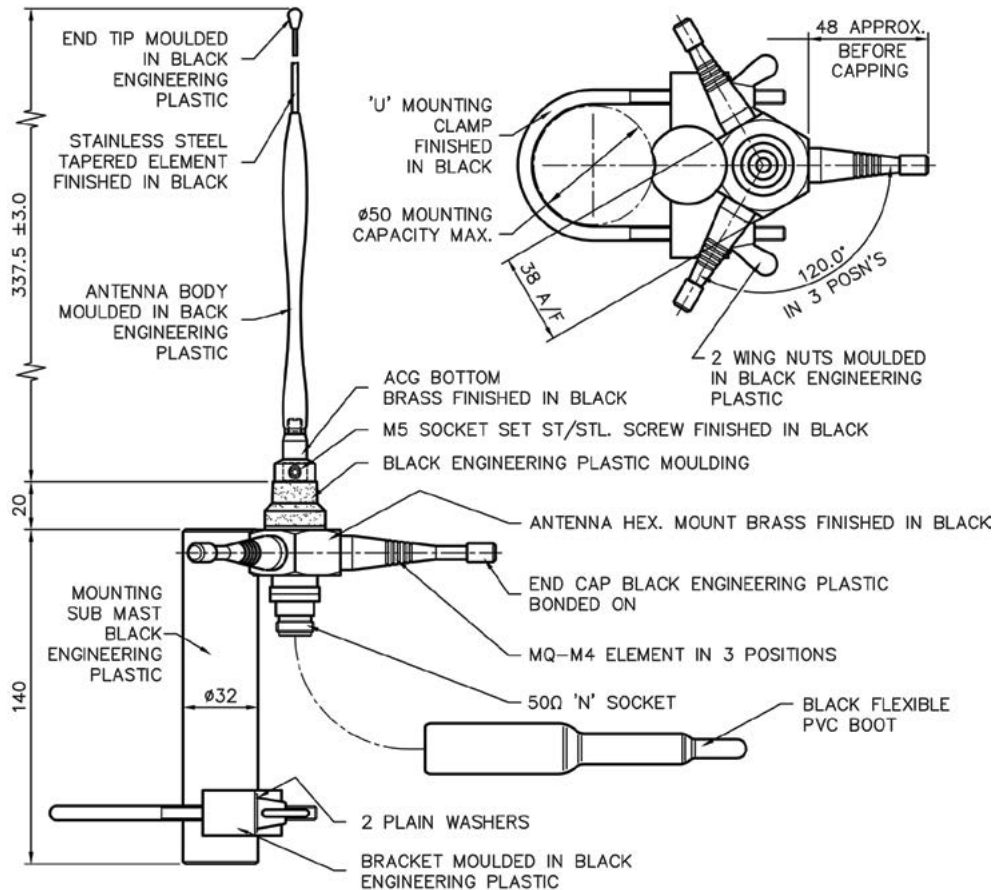
### BS800

- Mast mount
- Temporary or permanent fixing
- Quick assembly

The Panorama BS range of elevated antennas can be deployed for temporary field use or permanent installations. The range uses flexible radial elements to provide an effective but compact ground plane.

The antenna's centre fitting has a metal body to carry the radials and a moulded insulator for the radiator. The whip element is plastic coated for weather proofing and durability.

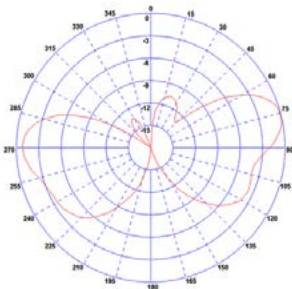
#### Technical Drawing



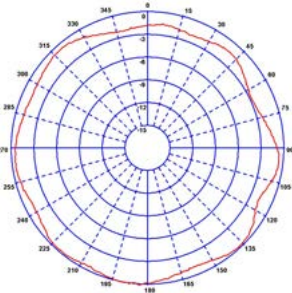
# P25

## Elevated Antenna

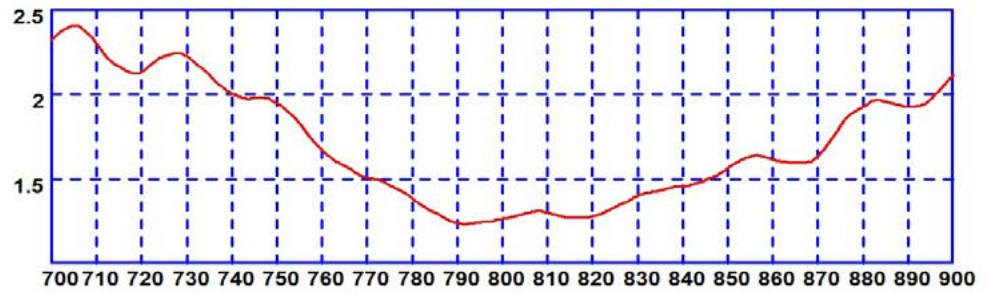
Typical E-Plane (800MHz)



Typical H-Plane (800MHz)



Typical VSWR\*



\*VSWR measured in free space with 5m (17ft) of CS23 cable.

### Part No.

BS800

### Electrical Data

Frequency Range (MHz)	762-894
Operational Bands	700 / 800
Peak Gain: Isotropic	5dBi
Compared to ¼ wave	3dB
Typical VSWR	≤ 2.5:1
Polarisation	Vertical
Pattern	Omni-directional
Impedance	50Ω
Max Input Power (W)	50

### Mechanical Data

Dimensions (mm)	Whip Length	337 (13.27")
	Ground plane element length	48 (1.89")
Operating Temp (°C)	-30° / +80°C (-22° / +176°F)	
Material	Nylon, stainless steel, plated brass, TPE	
Colour	Black	

### Mounting Data

Fixing	Mast mount
Maximum Mast Diameter (mm)	50 (1.97")

### Termination Data

Termination	N Socket
-------------	----------

PANORAMA ANTENNAS

Panorama Antennas Ltd

Frogmore, London, SW18 1HF, United Kingdom

T: +44 (0)20 8877 4444  
F: +44 (0)20 8877 4477

E: sales@panorama-antennas.com  
www.panorama-antennas.com

Waiver: The data given above is indicative of the performance of the product/s under particular conditions and does not imply a guarantee of performance. These specifications are subject to change without notice.

Copyright © Panorama Antennas Ltd. All rights reserved.  
www.panorama-antennas.com/