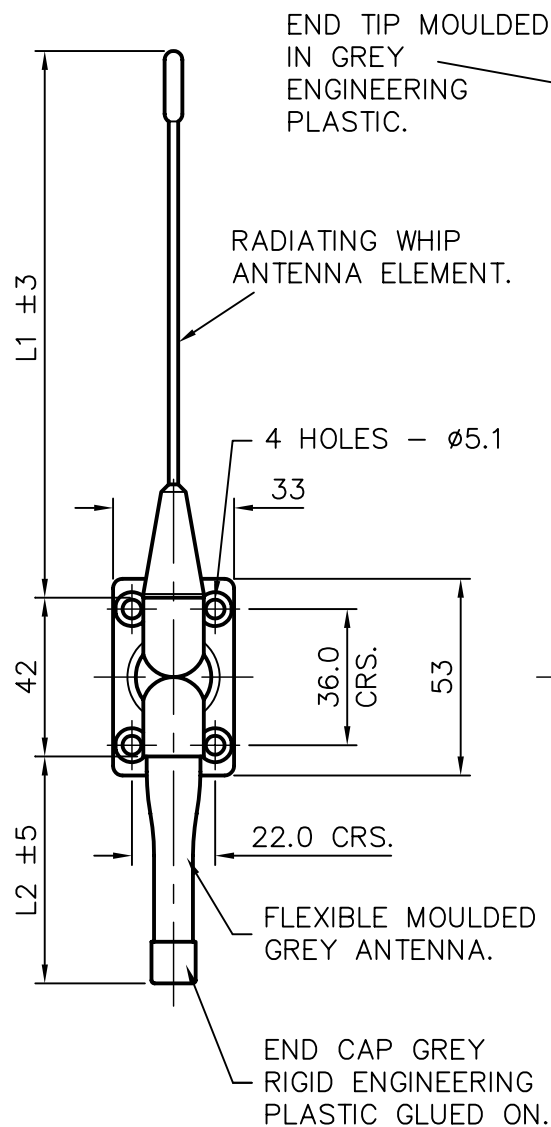
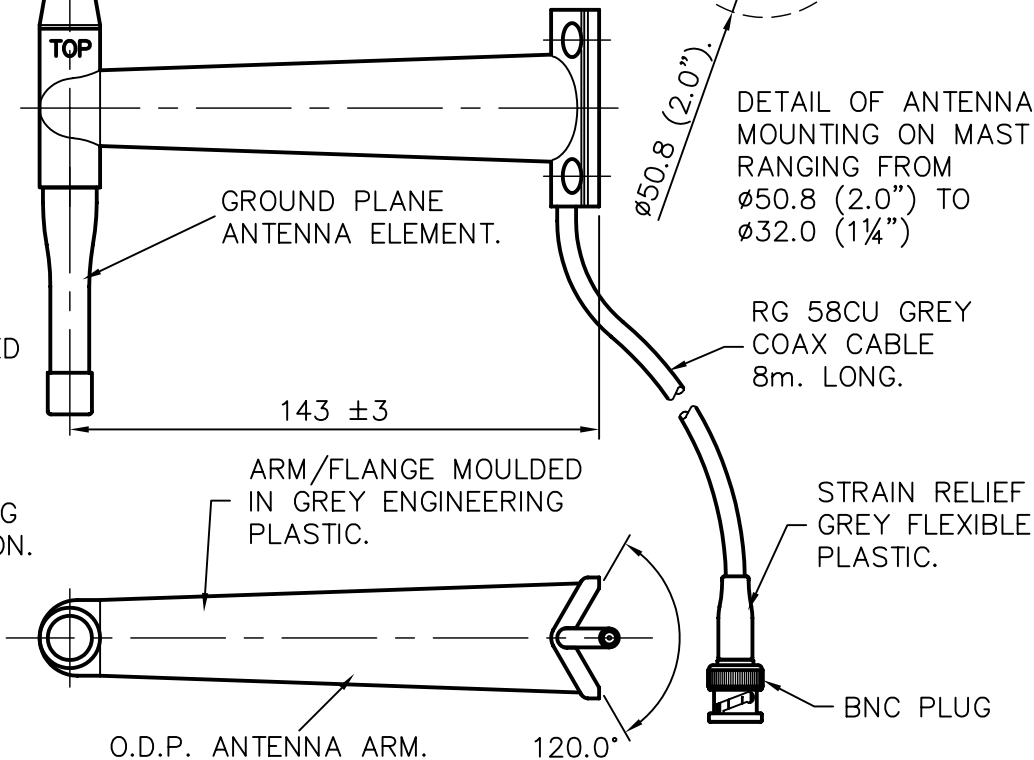
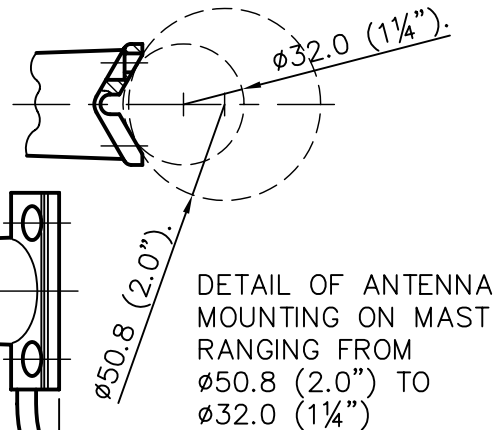
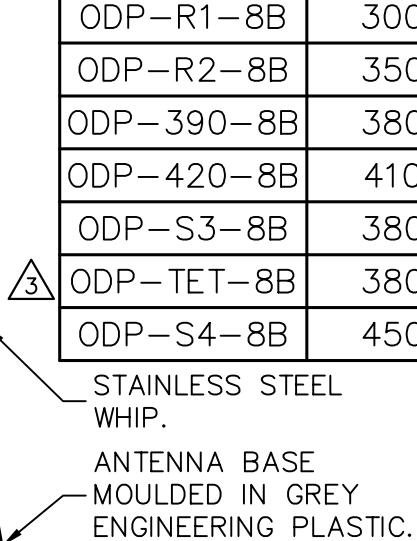


THIS IS A PROPRIETARY ITEM OF PANORAMA ANTENNAS LTD. AND COULD BE SUBJECT TO CHANGE WITHOUT PRIOR NOTICE. THIS ITEM IS RoHS COMPLIANT.



PART No.	FREQUENCY RANGE (MHz)	LEMGTH 'L1' (mm)	LEMGTH 'L2' (mm)
ODP-R1-8B	300-334	178	90
ODP-R2-8B	350-370	157	85
ODP-390-8B	380-400	145	80
ODP-420-8B	410-430	135	75
ODP-S3-8B	380-420	141	78
ODP-TET-8B	380-430	139	76
ODP-S4-8B	450-470	119	60



DRG. No. ODP-VAR-8B	
TITLE WALL/MAST O.D.P. ANTENNA VARIOUS GREY 8m COAX BNC PLUG	
MATERIAL	
FINISH	
DRAWN B.L.	DO.CHECK K.D.
SCALE 1:2	DIMENSIONS IN mm
TOLERANCES UNLESS OTHERWISE STATED 0 DEC. PLACE ±0.5 2 DEC. PLACES ±0.1 1 DEC. PLACE ±0.2 ANGULAR ±1'	
DO NOT SCALE	PROJECTION
C/NOTE	ISSUE DATE APPROVAL
01019	1 19.07.07 K.D.
01019	2 03.12.07 K.D.
01019	3 27.05.08 K.D.
△ — DENOTES LATEST ISSUE CHANGES	
PANORAMA ANTENNAS	
THIS DOCUMENT MUST NOT BE COPIED OR DISCLOSED TO A THIRD PARTY WITHOUT THE WRITTEN CONSENT OF PANORAMA ANTENNAS LTD.	
© 2007	A4