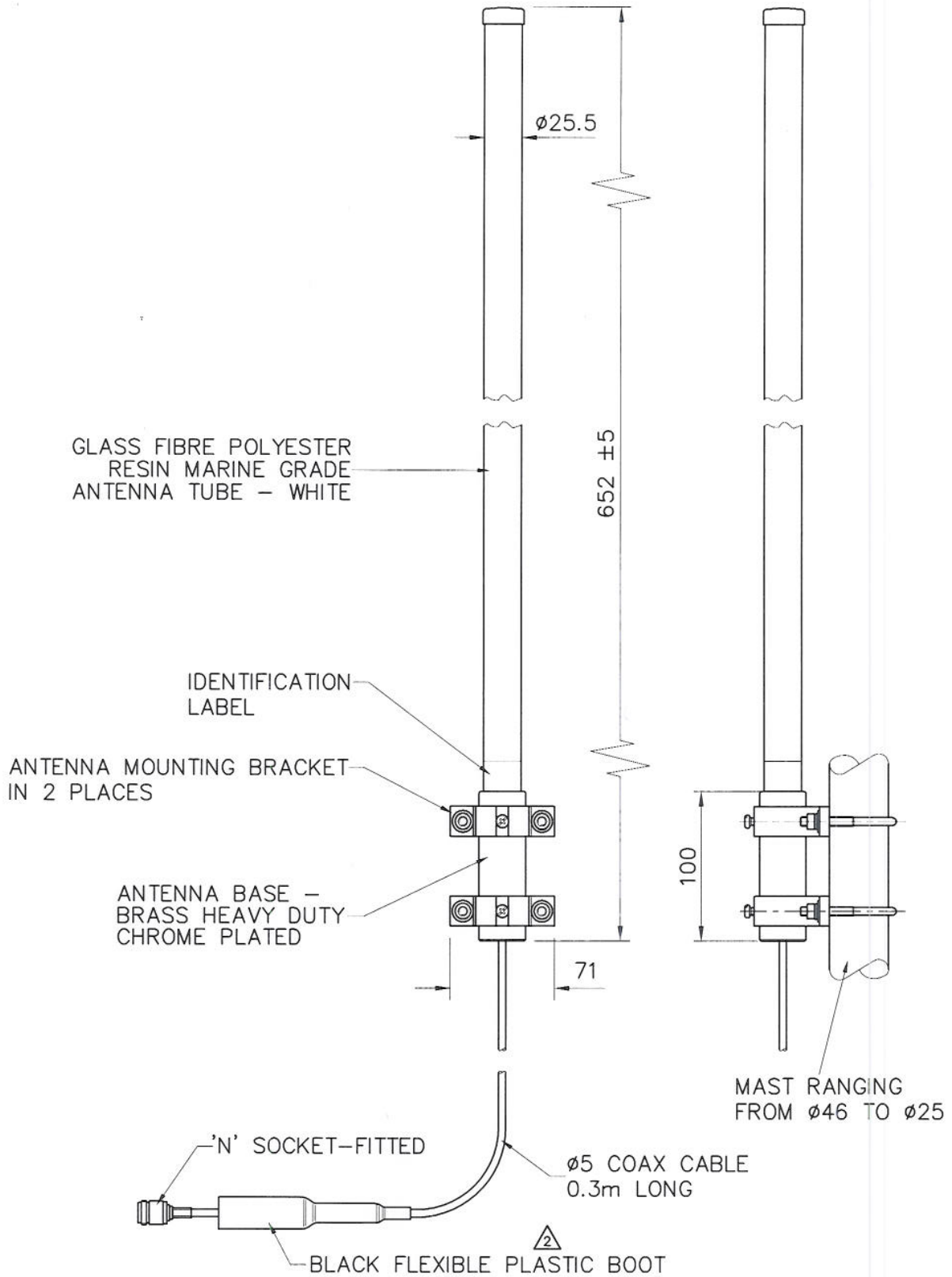


DRG. No. B5S-S2-03NJ



DENOTES LATEST ISSUE CHANGES



01019	1	28.10.14	K.D.	TOLERANCES UNLESS OTHERWISE STATED 0 DEC. PLACE ±0.5 2 DEC. PLACES ±0.1 1 DEC. PLACE ±0.2 ANGULAR ±1'	TITLE 410-430MHz. TETRA BASE STATION 5dBi GAIN ANTENNA
01019	2	01.06.16	<i>P.E</i>		
				MATERIAL	DRAWN A.G.
				FINISH	
C/NOTE	ISSUE	DATE	APPROVAL		SCALE 1:4
					DIMENSIONS IN mm