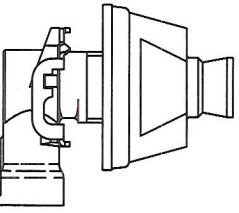


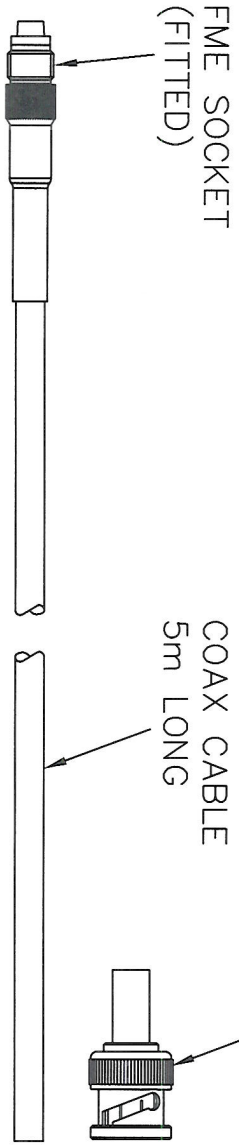
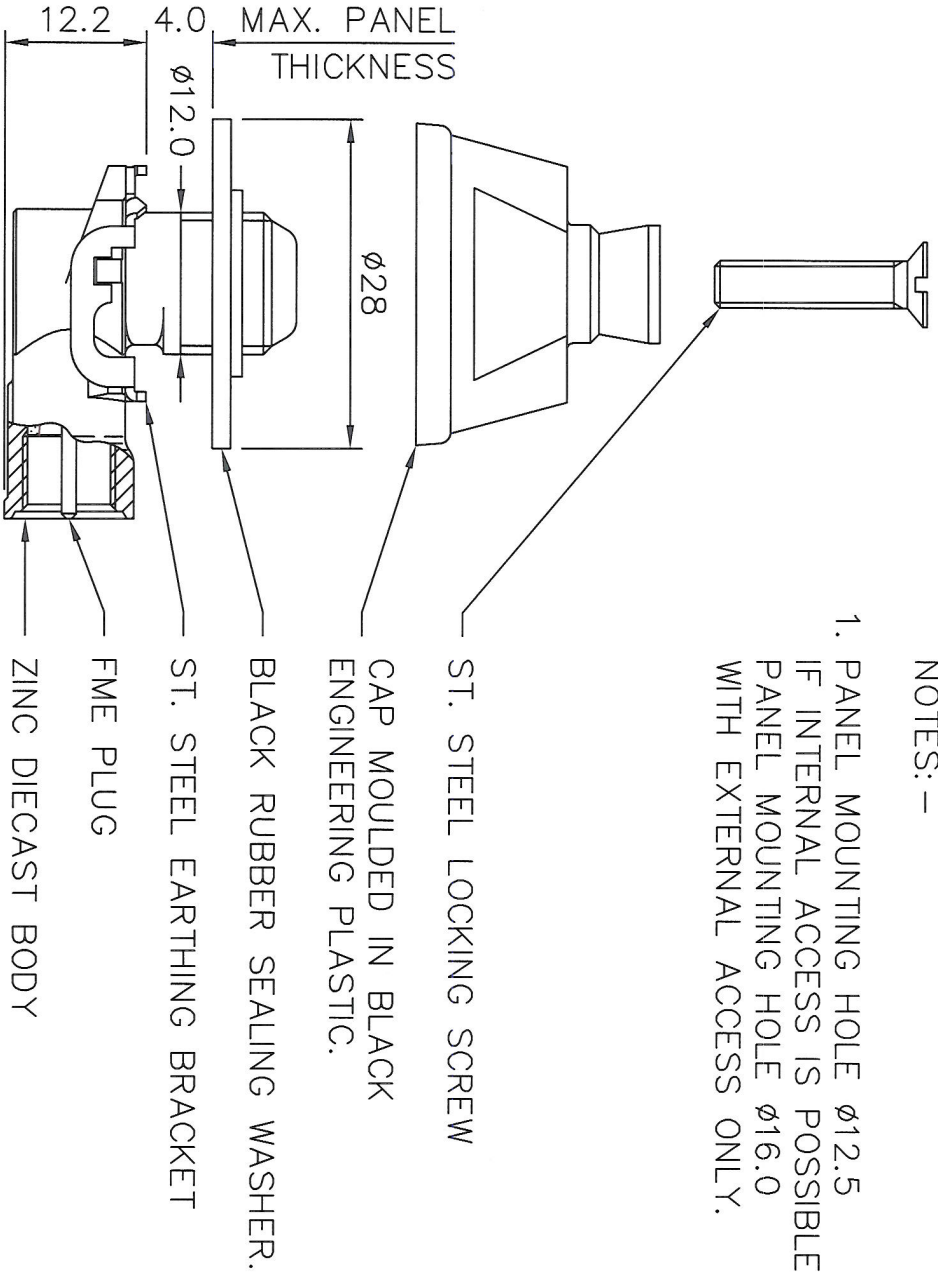
NOTES: -

- ALL MATERIALS SUPPLIED MUST BE RoHS2 (DIRECTIVE 2011/65/EU) COMPLIANT AND MUST NOT CONTAIN ANY SUBSTANCES OF VERY HIGH CONCERN (SVHCs) LISTED UNDER REACH OR POLY-AROMATIC HYDROCARBONS (PAHs), OR PERSISTENT ORGANIC POLLUTANTS (POPs) CONTROLLED BY THE STOCKHOLM CONVENTION.
- SAMPLES MUST BE APPROVED BY PANORAMA ANTENNAS Q.C. BEFORE COMMENCING PRODUCTION.



1. PANEL MOUNTING HOLE $\phi 12.5$ IF INTERNAL ACCESS IS POSSIBLE. PANEL MOUNTING HOLE $\phi 16.0$ WITH EXTERNAL ACCESS ONLY.

NOTES: -



DRG. No. **EM-5BL**

TITLE
**EUROBASE MODULAR
5m BNC LOOSE**

MATERIAL

FINISH

DRAWN

M.M.

DO.CHECK

P.C.

SCALE 1:1 & 2:1

DIMENSIONS IN mm

TOLERANCES UNLESS OTHERWISE STATED
0 DEC. PLACE ± 0.5 2 DEC. PLACES ± 0.1
1 DEC. PLACE ± 0.2 ANGULAR $\pm 1'$

DO NOT SCALE PROJECTION

| C/NOTE | ISSUE | DATE | APPROVAL |
|--------|-------|----------|-----------|
| 01019 | 1 | 15.09.17 | <i>KD</i> |
| | | | |
| | | | |
| | | | |
| | | | |

- DENOTES LATEST ISSUE CHANGES



THIS DOCUMENT MUST NOT BE COPIED OR DISCLOSED TO A THIRD PARTY WITHOUT THE WRITTEN CONSENT OF PANORAMA ANTENNAS LTD.