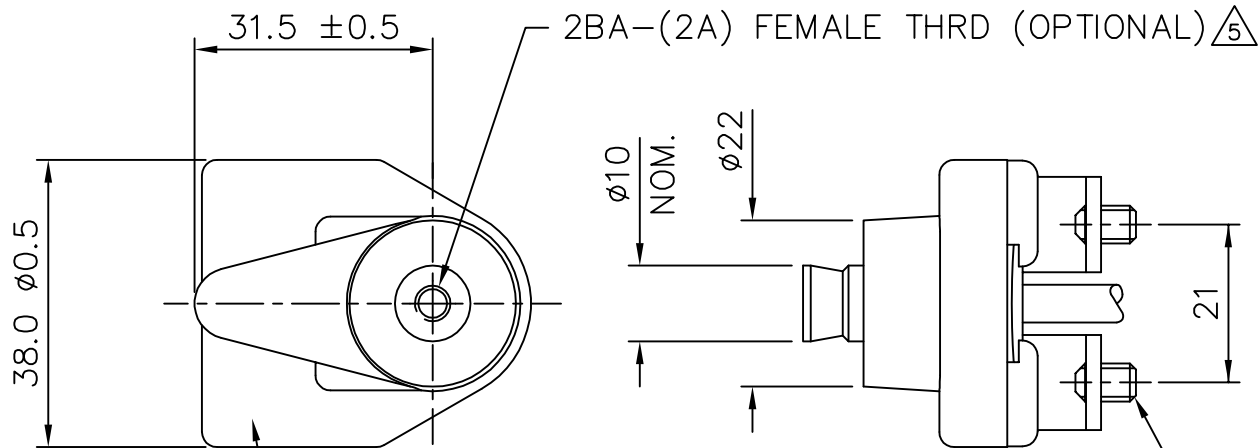


THIS IS A PROPRIETARY ITEM OF PANORAMA ANTENNAS LTD. AND COULD BE SUBJECT TO CHANGE WITHOUT PRIOR NOTICE. THIS ITEM IS ROHS COMPLIANT.



MOUNT BODY MOULDED IN BLACK ENGINEERING PLASTIC

2- M5x8 OR 10mm LONG SOCKET SET CUP POINT ST. STL. SCREWS.

ANTENNA MOUNT NICKEL PLATED BRASS

2 BRACKETS ST. STEEL

RG58 C/U COAX CABLE 5/4.8 METRE LONG

2.5mm A/F HEX. WRENCH

FME SOCKET FITTED

DRG. No. MBM-5F

TITLE  
BOOT MOUNT BASE WITH 5m COAX & FME FITTED

MATERIAL

FINISH

DRAWN A.G. DO.CHECK A.J.

SCALE 1:1 DIMENSIONS IN mm

FILE MBM-5F

TOLERANCES UNLESS OTHERWISE STATED  
0 DEC. PLACE ±0.5 2 DEC. PLACES ±0.1  
1 DEC. PLACE ±0.2 ANGULAR ±1'

DO NOT SCALE PROJECTION

| C/NOTE | ISSUE | DATE     | APPROVAL |
|--------|-------|----------|----------|
| 01019  | 1     | 26.3.99  | A.J.     |
| 01855  | 2     | 22.7.04  | K.D.     |
| 01019  | 3     | 25.06.07 | K.D.     |
| 01019  | 4     | 13.01.10 | K.D.     |
| 01019  | 5     | 18.04.13 | K.D.     |
|        |       |          |          |
|        |       |          |          |

△ — DENOTES LATEST ISSUE CHANGES



THIS DOCUMENT MUST NOT BE COPIED OR DISCLOSED TO A THIRD PARTY WITHOUT THE WRITTEN CONSENT OF PANORAMA ANTENNAS LTD.

© 1999 A4