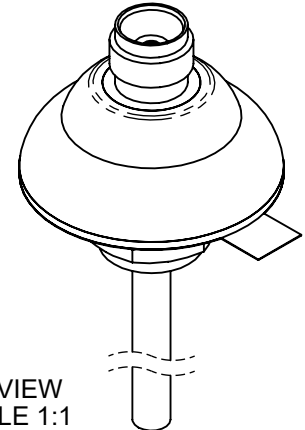


PART No.	LENGTH 'L' +100mm/ -0mm	WEIGHT
ML10L-TJ-1	1000mm	103g
ML10L-TJ-3	3000mm	179g
ML10L-TJ-5	5000mm	255g

- NOTES:**
- MOULDED COMPONENT TO BE FREE FROM DISTORTION, FLASH, SINK AND FLOW MARKS. COSMETIC SURFACES MUST BE FREE FROM BLEMISHES AND ALL OTHER SURFACE IMPERFECTIONS.
 - REFER TO 3D FILE FOR TOOL MANUFACTURE AND DETAILED DIMENSIONS.
 - GATE POSITION TO BE CONFIRMED BEFORE TOOL MANUFACTURE.
 - MATERIAL: BASE: MOULDED IN NYLON - GRILON TSZ-1 BLACK.
 - COLOUR: BASE: JET BLACK (RAL 9005).
 - FINISH: BASE: FINE SPARK TO 30 VDI (Ra 3.15µm).
 - SAMPLES MUST BE APPROVED BY PANORAMA ANTENNAS Q.C. BEFORE COMMENCING PRODUCTION.
 - ALL MATERIALS SUPPLIED MUST BE RoHS2 (DIRECTIVE 2011/65/EU) COMPLIANT AND MUST NOT CONTAIN ANY SUBSTANCES OF VERY HIGH CONCERN (SVHCs) LISTED UNDER REACH OR POLY-AROMATIC HYDROCARBONS (PAHs), OR PERSISTENT ORGANIC POLLUTANTS (POPs) CONTROLLED BY THE STOCKHOLM CONVENTION.
 - IN ORDER TO ASSURE COMPLIANCE WITH THE USA DODD-FRANK ACT (SECTION 1502) TIN, GOLD, TANTALUM AND TUNGSTEN CONTAINED IN PANORAMA PRODUCTS MUST BE FULLY TRACEABLE TO A SMELTER APPROVED BY THE CONFLICT-FREE SOURCING INITIATIVE (www.conflictfreesmelter.org).



DRG. No.	ML10L-TJ-VAR			SHEET 1 OF 1
PRODUCT/ASSEMBLY	MOBILE ANTENNA BASES			
DESCRIPTION	COAXIAL BASE TNC JACK MOUNT - VARIOUS CABLE LENGTHS			
MATERIAL	N/A			
FINISH	N/A			
WEIGHT	N/A			
APPROVED	JJ	DO.CHECK	PE	
SCALE	2:1	DIMENSIONS IN mm		
DO NOT SCALE	3RD ANGLE PROJECTION			
01019	2	VAR CREATED. GENERAL UPDATE. NOTES UPDATE.	07/09/2016	KW
PCN	REV.	DESCRIPTION	DATE	DRN
TOLERANCES UNLESS OTHERWISE STATED				
0 DEC. PLACE ±0.5		2 DEC. PLACES ±0.1		
1 DEC. PLACE ±0.2		ANGULAR ±1°		
	DENOTES LATEST ISSUE CHANGES			
		DENOTES CRITICAL VALUE		
THIS DOCUMENT MUST NOT BE COPIED OR DISCLOSED TO A THIRD PARTY WITHOUT THE WRITTEN CONSENT OF PANORAMA ANTENNAS LTD.				
© 2016			A4	