

1

2

3

4

5

DRG. No. **MARU-2SP**SHEET
1 OF 1

PRODUCT/ASSEMBLY

HF MAGNETIC BASE

DESCRIPTION

HIGH FREQUENCY MAGNETIC BASE -
RG174 COAX CABLE - 2.3m LONG-SMA
PLUG FITTED

MATERIAL

N/A

FINISH

N/A

WEIGHT

79 g

APPROVED

KD

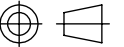
DO.CHECK

PE

SCALE

1:1

DIMENSIONS IN mm

DO NOT
SCALE3RD ANGLE
PROJECTION

PCN

REV.

DESCRIPTION

DATE

DRN

01019

1

PRODUCTION
ISSUE

29/05/2013

ATB

01019

2

INTERNAL
UPDATES

12/06/2013

ATB

01019

3

INTERNAL UPDATE
- SUPPLIER
REQUEST

05/07/2013

ATB

TOLERANCES UNLESS OTHERWISE STATED

0 DEC. PLACE ±0.5 2 DEC. PLACES ±0.1

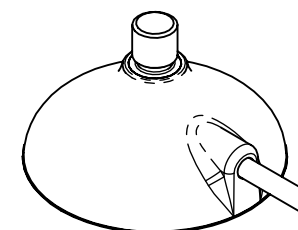
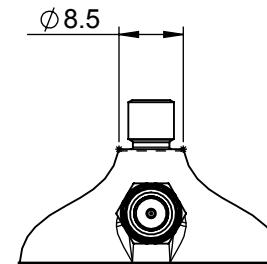
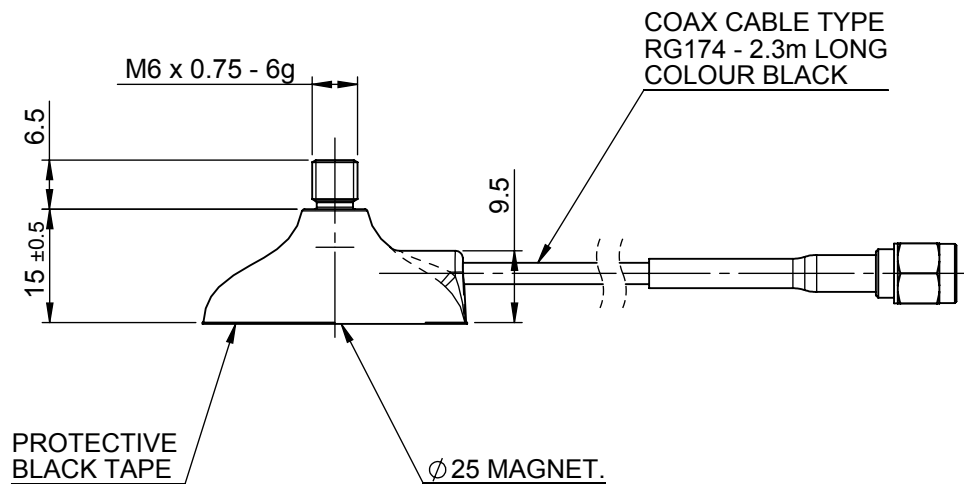
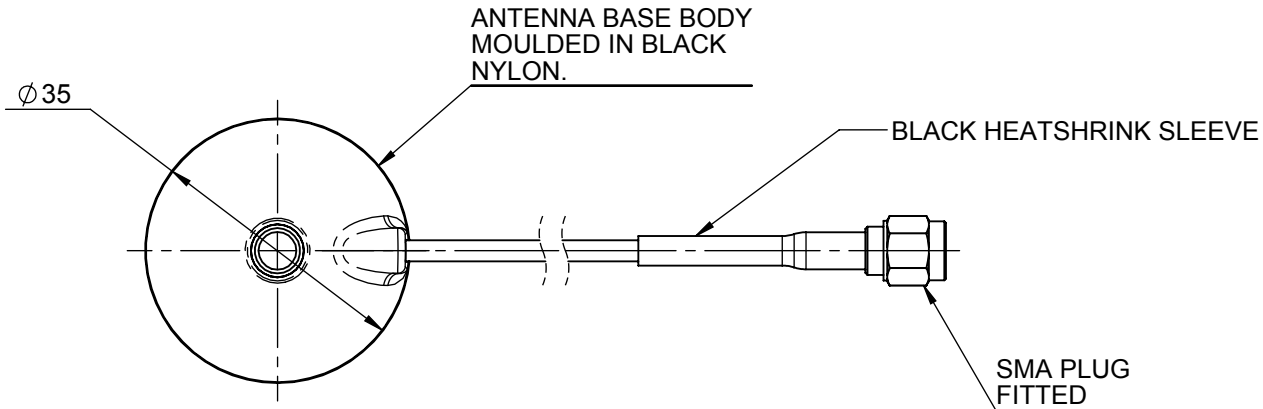
1 DEC. PLACE ±0.2 ANGULAR ±1°

DENOTES
LATEST ISSUE
CHANGESDENOTES
CRITICAL
VALUE

**PANORAMA
ANTENNAS**
THIS DOCUMENT MUST NOT BE COPIED
OR DISCLOSED TO A THIRD PARTY
WITHOUT THE WRITTEN CONSENT OF
PANORAMA ANTENNAS LTD.

© 2013

A4

ISO VIEW
SCALE 1:1

NOTES:

- ALL MATERIALS USED MUST BE RoHS COMPLIANT.
- SAMPLES MUST BE APPROVED BY PANORAMA ANTENNAS Q.C. BEFORE COMMENCING PRODUCTION.