

THIS DOCUMENT MUST NOT BE COPIED OR DISCLOSED TO A THIRD PARTY WITHOUT THE WRITTEN CONSENT OF PANORAMA ANTENNAS LTD.

© 2008 A4

DO NOT SCALE

PROJECTION

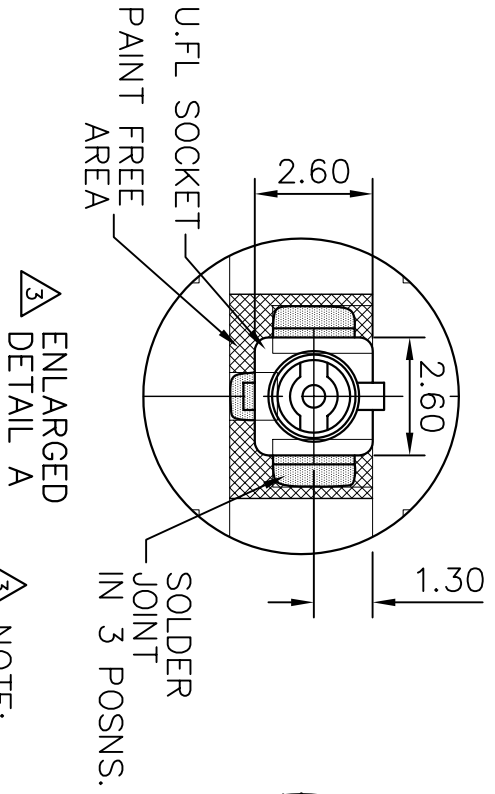
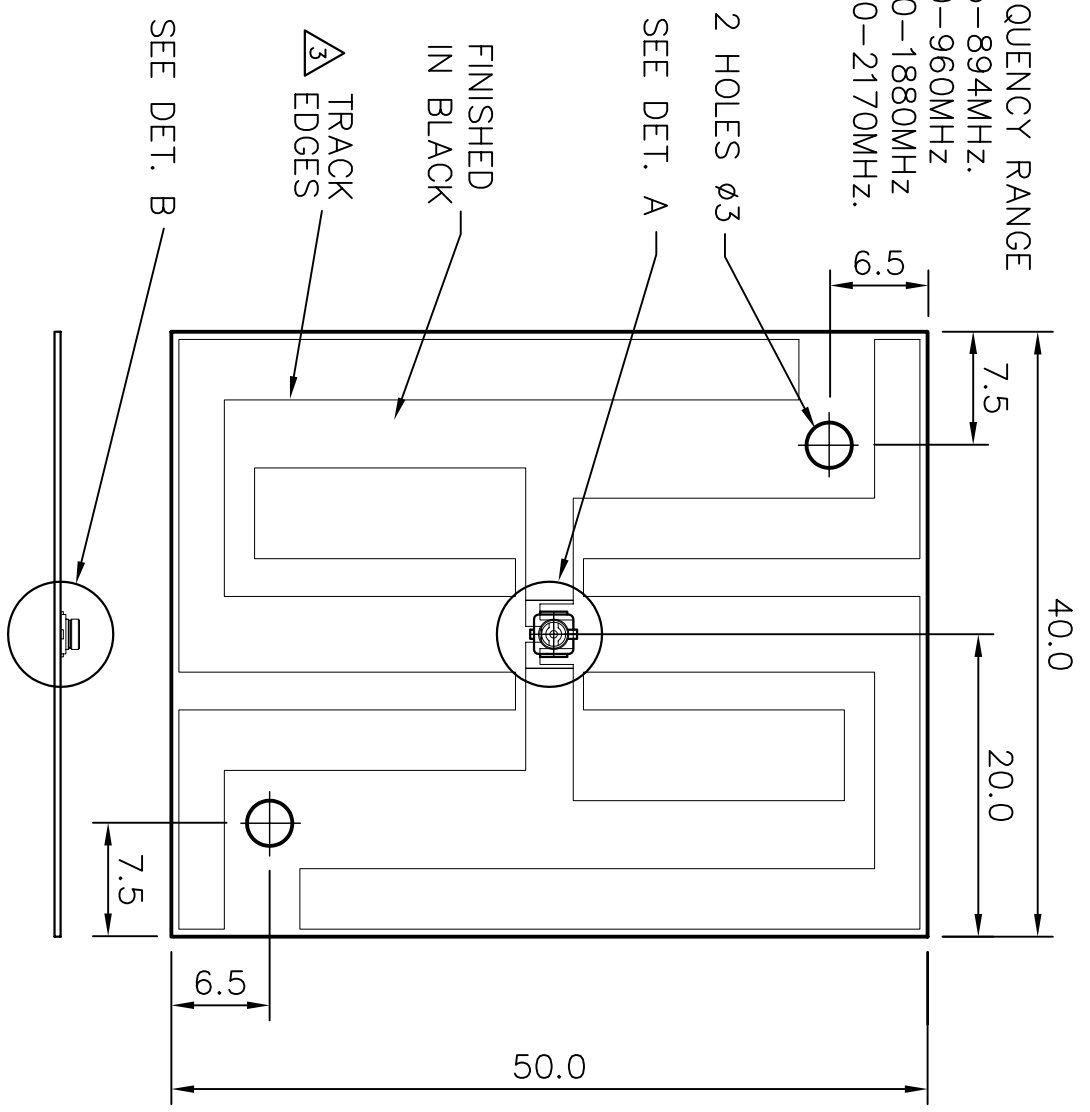


# TCB-C3G-UF

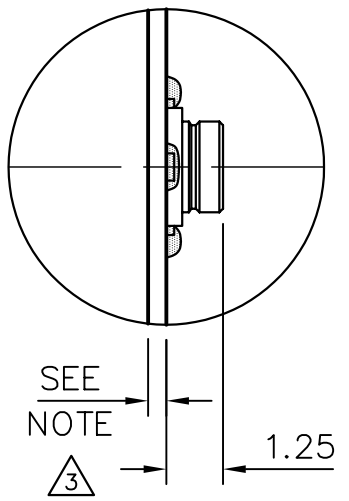
DRG. No.

THIS IS A PROPRIETARY ITEM OF PANORAMA ANTENNAS LTD. AND COULD BE SUBJECT TO CHANGE WITHOUT PRIOR NOTICE. THIS ITEM IS RoHS COMPLIANT.

**FREQUENCY RANGE**  
 805-894MHZ.  
 890-960MHZ  
 1710-1880MHZ  
 1900-2170MHZ.



NOTE:-



△ — DENOTES LATEST ISSUE CHANGES

PCB MATERIAL — 0.40 THICK.  
 AFTER PAINTING — 0.50/0.60 THICK.

C/NOTE	ISSUE	DATE	APPROVAL
01019	1	22.02.08	K.D.
01019	2	03.03.08	K.D.
01019	3	06.08.08	K.D.

TOLERANCES UNLESS OTHERWISE STATED  
 0 DEC. PLACE ±0.5 2 DEC. PLACES ±0.1  
 1 DEC. PLACE ±0.2 ANGULAR ±1°  
 MATERIAL

FINISH

TITLE  
**MULTIBAND PCB ANTENNA —**  
**U.F.L SOCKET**

DRAWN B.L. DO.CHECK K.D. SCALE 2:1 & 5:1

DIMENSIONS IN mm

**PANORAMA ANTENNAS**