

1

2

3


4


DRG. No. PCX-SMAP-C3G

© 2014 A4

THIS DOCUMENT MUST NOT BE COPIED OR DISCLOSED TO A THIRD PARTY WITHOUT THE WRITTEN CONSENT OF PANORAMA ANTENNAS LTD.

DO NOT SCALE

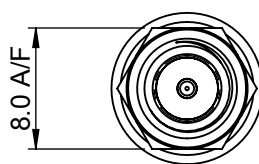
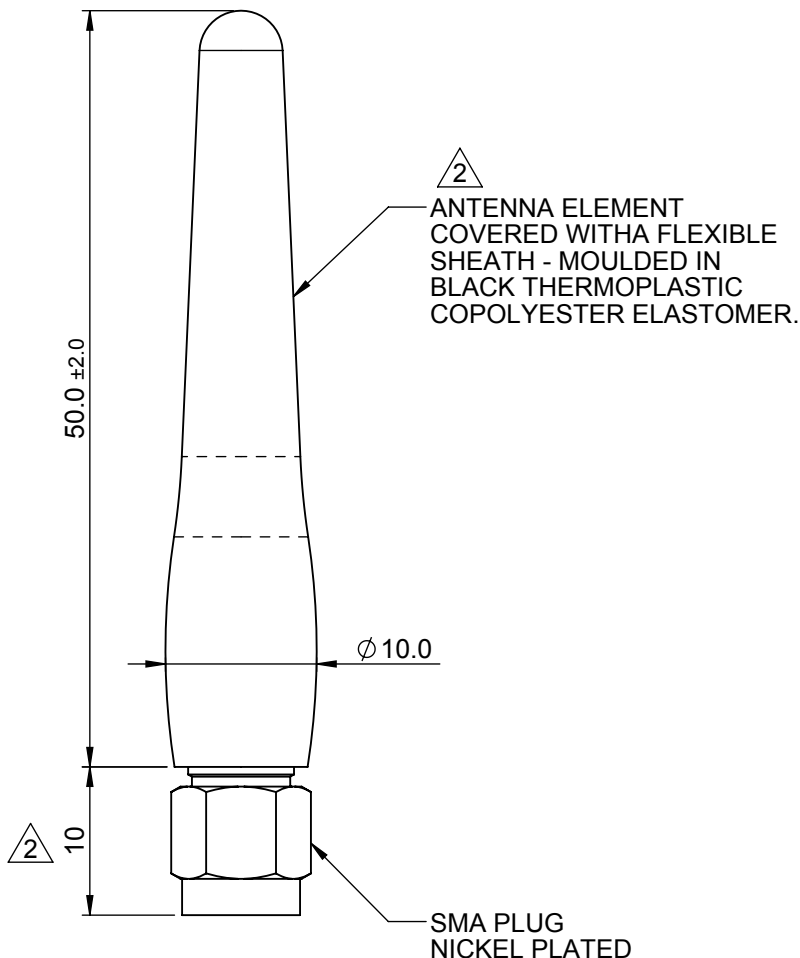
 DENOTES LATEST ISSUE CHANGES

 DENOTES CRITICAL VALUE
PROJECTION 

TOLERANCES UNLESS OTHERWISE STATED

0 DEC. PLACE ±0.5 2 DEC. PLACES ±0.1

1 DEC. PLACE ±0.2 ANGULAR ±1°

ISO VIEW
SCALE 1:1

2

NOTES:

1. SAMPLES MUST BE APPROVED BY PANORAMA ANTENNAS Q.C. BEFORE COMMENCING PRODUCTION.
2. ALL PARTS MUST BE RoHS COMPLIANT AND MUST NOT CONTAIN ANY SUBSTANCES OF VERY HIGH CONCERN (SVHCs) LISTED UNDER REACH OR POLY-AROMATIC HYDROCARBONS (PAHs), OR PERSISTENT ORGANIC POLLUTANTS (POPs) CONTROLLED BY THE STOCKHOLM CONVENTION.

PRODUCT/ASSEMBLY
PORTABLE
ANTENNASDESCRIPTION
MULTIBAND CELL HELICAL SMA PLUG
ANTENNAMATERIAL
N/A

APPROVED KD D.O.CHECK ATB SCALE 2:1 DIMENSIONS IN mm

01019 2 REDRAWN IN 2D AND 3D. NOTES AND 10mm TOL. UPDATED. 09/06/2014 PE

FINISH
N/A

PCN REV DESCRIPTION DATE DRAWN

PANORAMA  ANTENNAS

REVISIONS

WEIGHT 5.6g SHEET 1 OF 1