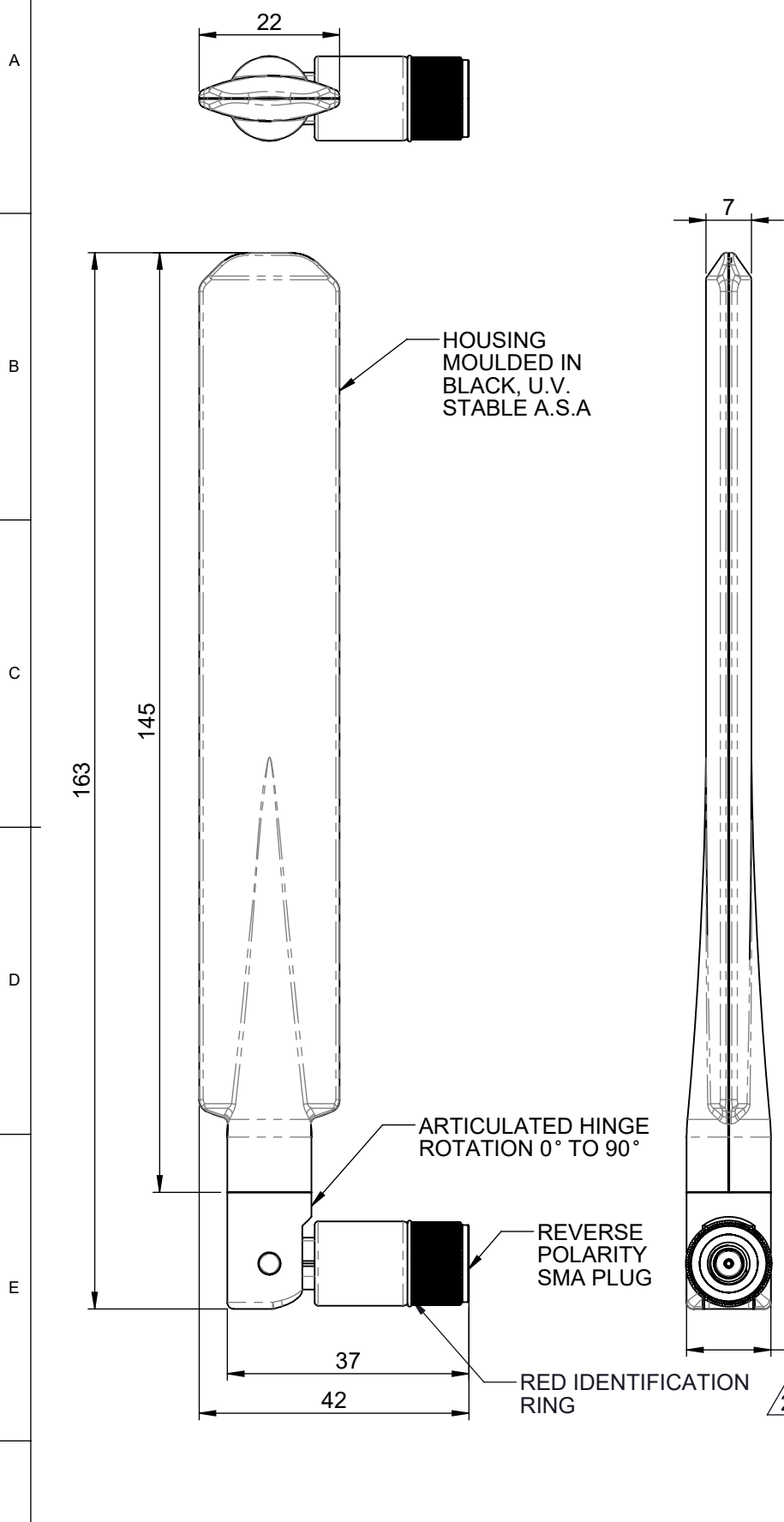
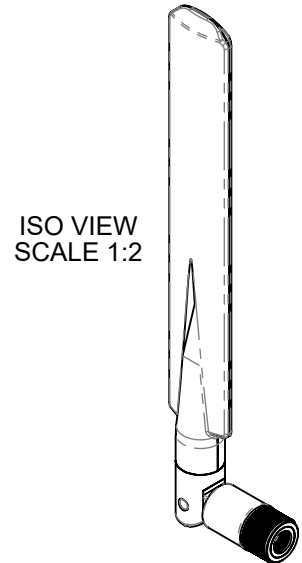


TOLERANCES UNLESS OTHERWISE STATED			
0 DEC. PLACE	±0.5	2 DEC. PLACES	±0.1
1 DEC. PLACE	±0.2	ANGULAR	±1°

OPERATING FREQUENCIES:
2400-2485 MHz
4900-6000 MHz



- NOTES:
- SAMPLES MUST BE APPROVED BY PANORAMA ANTENNAS Q.C. BEFORE COMMENCING PRODUCTION.
 - ALL MATERIALS SUPPLIED MUST BE RoHS2 (DIRECTIVE 2011/65/EU) COMPLIANT AND MUST NOT CONTAIN ANY SUBSTANCES OF VERY HIGH CONCERN (SVHCs) LISTED UNDER REACH OR POLY-AROMATIC HYDROCARBONS (PAHs), OR PERSISTENT ORGANIC POLLUTANTS (POPs) CONTROLLED BY THE STOCKHOLM CONVENTION.



					PRODUCT/ASSEMBLY TERMINAL ANTENNAS		DESCRIPTION 2.4/5.8GHz TRM ANT RA SMA REV POL						
					MATERIAL N/A								
01019	A	INITIAL ISSUE	29/06/2016	PE			APPROVED	JJ	D.O.CHECK	KD	SCALE	1:1	DIMENSIONS IN mm
01019	1	PRODUCTION ISSUE	17/08/2016	PE	FINISH N/A								
01019	2	RED ID RING ADDED	25/04/2017	PE									
PCN	REV.	DESCRIPTION	DATE	DRN.	WEIGHT	17.90g	SHEET 1 OF 1						