

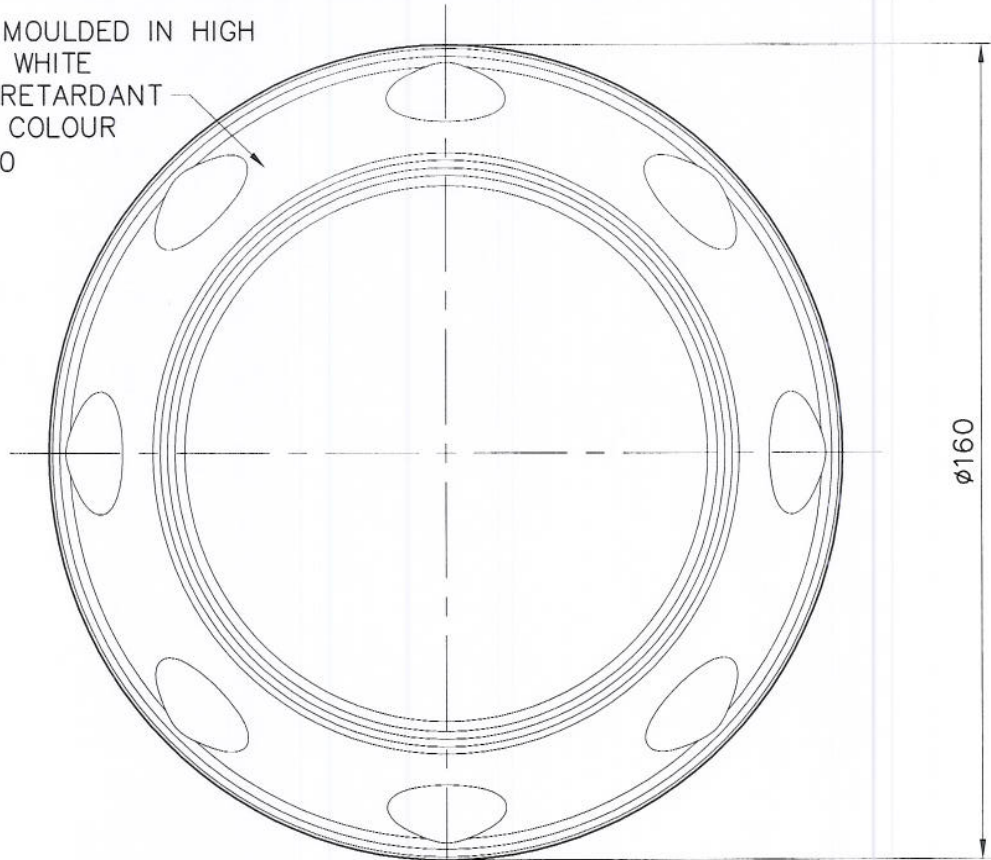


CM-S1-08NJ

DRG. No.

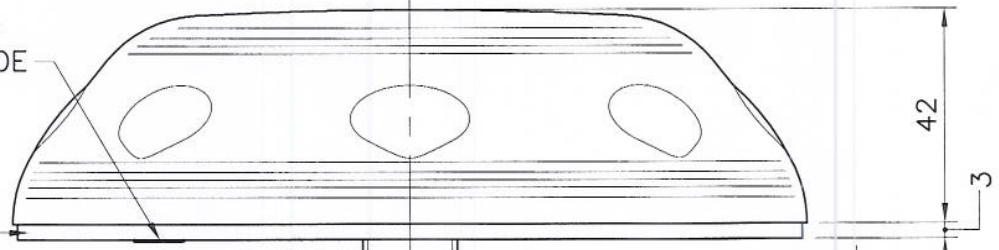
THIS IS A PROPRIETARY ITEM OF PANORAMA ANTENNAS LTD. AND COULD BE SUBJECT TO CHANGE WITHOUT PRIOR NOTICE. THIS ITEM IS RoHS COMPLIANT.

COVER MOULDED IN HIGH
IMPACT WHITE
FLAME RETARDANT
ABS - COLOUR
RAL9010



IDENTITY LABEL FIXED TO UNDERSIDE

ADHESIVE PAD



CEILING TILE

RE-ENFORCEMENT WASHER - ø42mm O/D.

SHAKE PROOF WASHER

HEX. NUT

MOUNTING BUSH

N SOCKET FITTED

3/4"-16 UNF (2A)

ø5.0 - CS23 COAX CABLE 0.8m LONG

DENOTES LATEST ISSUE CHANGES



01019	1	16.02.12	K.D.	TOLERANCES UNLESS OTHERWISE STATED 0 DEC. PLACE ±0.5 2 DEC. PLACES ±0.1 1 DEC. PLACE ±0.2 ANGULAR ±1'
01019	2	29.07.14	K.D.	
01019	3	16.02.16	KD	
				MATERIAL
				FINISH
C/NOTE	ISSUE	DATE	APPROVAL	

TITLE			
CEILING MOUNT ANTENNA 380-400MHz. 800mm COAX - N SOCKET			
DRAWN A.G.	DO.CHECK K.D.	SCALE 1:1	DIMENSIONS IN mm
PANORAMA ANTENNAS			