

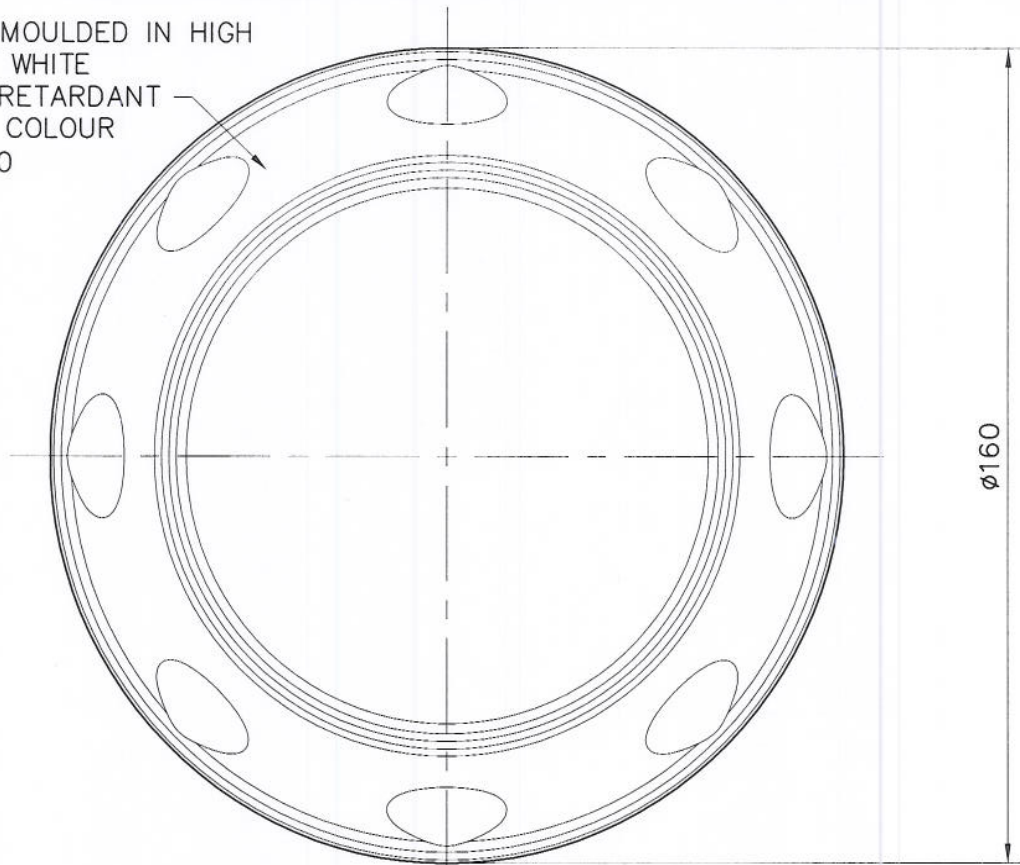


CM-S2-08NJ

DRG. No.

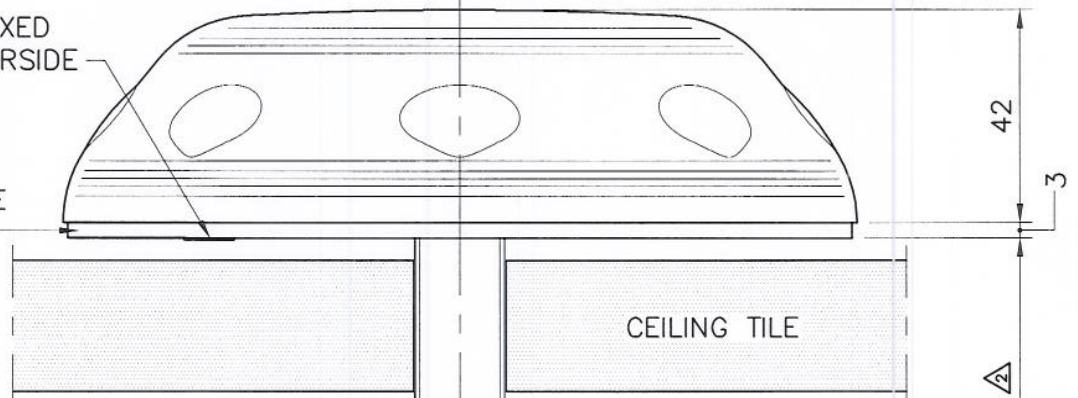
THIS IS A PROPRIETARY ITEM OF PANORAMA ANTENNAS LTD. AND COULD BE SUBJECT TO CHANGE WITHOUT PRIOR NOTICE. THIS ITEM IS RoHS COMPLIANT.

COVER MOULDED IN HIGH
IMPACT WHITE
FLAME RETARDANT
ABS - COLOUR
RAL9010



IDENTITY LABEL FIXED TO UNDERSIDE

ADHESIVE PAD



CEILING TILE

RE-ENFORCEMENT WASHER
- $\phi 42\text{mm}$ O/D.

SHAKE PROOF WASHER

HEX. NUT

MOUNTING BUSH

N SOCKET FITTED

$\Delta 3/4'' - 16 \text{ UNF}$
(2A)

$\phi 5.0$ - CS23 COAX CABLE
0.8m LONG

△ DENOTES LATEST ISSUE CHANGES



01019	1	27.01.10	K.D.	TOLERANCES UNLESS OTHERWISE STATED 0 DEC. PLACE ± 0.5 2 DEC. PLACES ± 0.1 1 DEC. PLACE ± 0.2 ANGULAR $\pm 1'$
01019	2	16.02.16	KD	
				MATERIAL
				FINISH
C/NOTE	ISSUE	DATE	APPROVAL	

TITLE			
CEILING MOUNT ANTENNA 410 - 430 MHz. 800mm COAX - N SOCKET			
DRAWN A.G.	DO.CHECK K.D.	SCALE 2:3	DIMENSIONS IN mm
PANORAMA ANTENNAS			