

UHF Ceiling Antenna

30/08/2011 v1

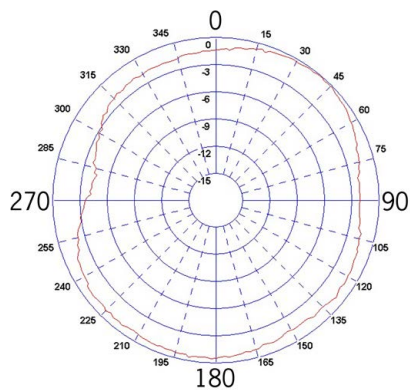


- Easy installation
- In building UHF coverage
- Discrete low profile appearance

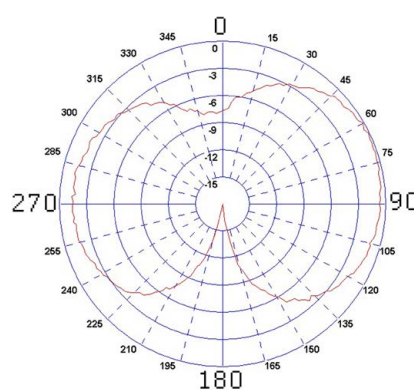
The Panorama UHF ceiling antenna is designed to enhance network coverage in large buildings for the emergency services. Used in airports, large campus sites and shopping centres the antenna ensures there are no black holes in coverage or a reduction in signal strength.

The discrete and low profile appearance of the antenna minimises awareness of its presence amongst building users.

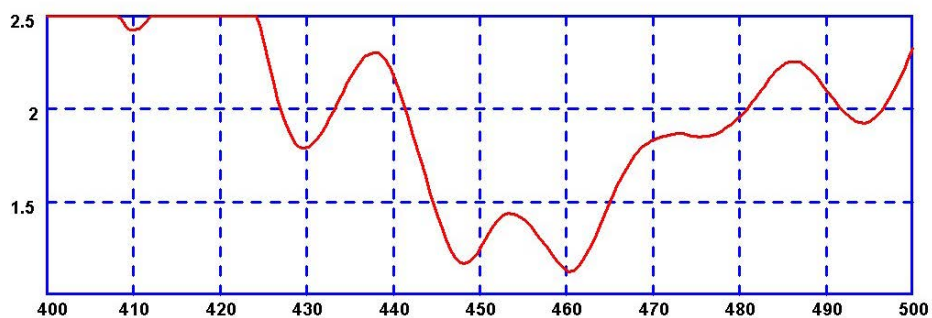
Typical H-Plane (460MHz)



Typical E-Plane (460MHz)

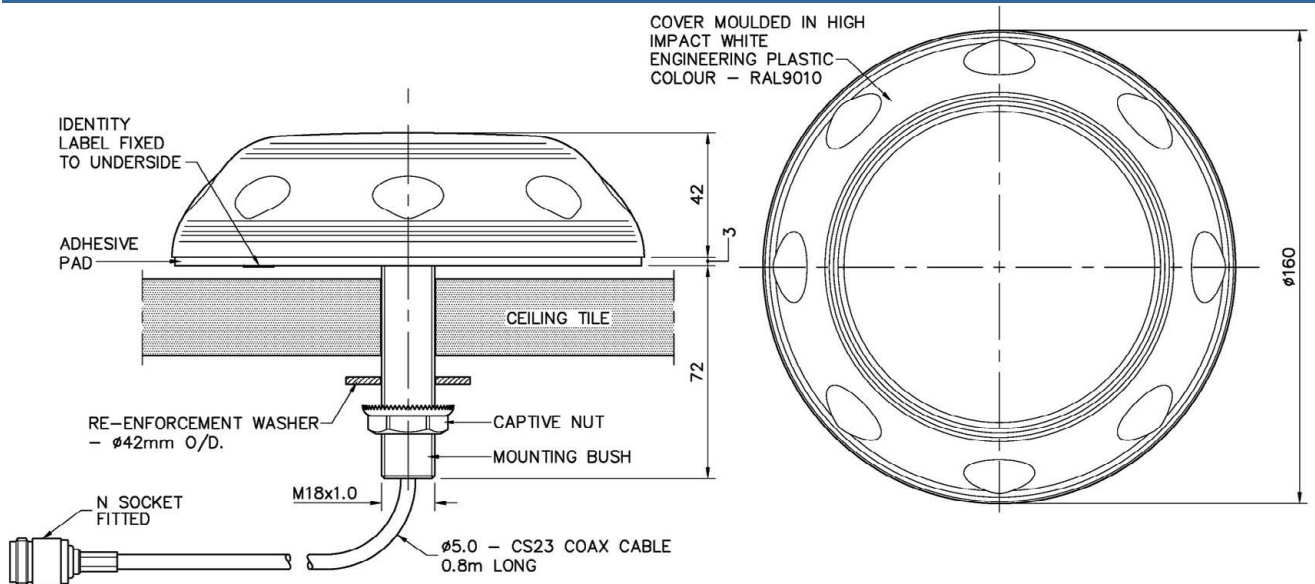


Typical VSWR



*Measured with 5m of cable

Technical Drawing



Part No.

CM-S4-08NJ

Electrical Data

Frequency Range (MHz)	450-470
Operational Band	S4
Peak Gain: Isotropic	0dBi
Compared to $\frac{1}{4}$ wave	-2dB
Polarisation	Vertical
Pattern	Omni-directional
Impedance	50 Ω
Max Input Power (W)	25

Mechanical Data

Dimensions (mm)	Height	42 (1.6")
	Width	160 (6.2")
Operating Temp ($^{\circ}\text{C}$)		-40 $^{\circ}$ / +80 $^{\circ}\text{C}$ (-40 $^{\circ}$ / 176 $^{\circ}\text{F}$)
Material		Impact resistant ABS
Colour		White (RAL9010)

Mounting Data

Fixing	Ceiling tile mounting
Mounting hole size (mm)	18 (.7")
Mounting length (mm)	72 (2.8")

Cable Data

Type	CS23 Coaxial Cable
Thickness (mm)	5 (.19")
Length (m)	0.8 (31.4")
Termination	N Socket

PANORAMA ANTENNAS

Panorama Antennas Ltd
Frogmore, London, SW18 1HF, United Kingdom

T: +44 (0)20 8877 4444
F: +44 (0)20 8877 4477
E: sales@panorama-antennas.com
www.panorama-antennas.com

Waiver: The data given above is indicative of the performance of the product/s under particular conditions and does not imply a guarantee of performance. These specifications are subject to change without notice.

Copyright © Panorama Antennas Ltd. All rights reserved.