

1

2

3

4

5

PRODUCT/ASSEMBLY  
**TRANSIT ANTENNAS**

DESCRIPTION  
**MIMO TRAIN ANTENNA 700-6000MHZ**

MATERIAL  
**N/A**

FINISH  
**N/A**

WEIGHT  
**1072.87g**

APPROVED **JJ** DO.CHECK **IC**

SCALE **1:2.5** DIMENSIONS IN mm

DO NOT SCALE 3RD ANGLE PROJECTION

01019 1 PRODUCTION ISSUE 29/04/2016 PE

PCN REV. DESCRIPTION DATE DRN

TOLERANCES UNLESS OTHERWISE STATED

0 DEC. PLACE ±0.5 2 DEC. PLACES ±0.1

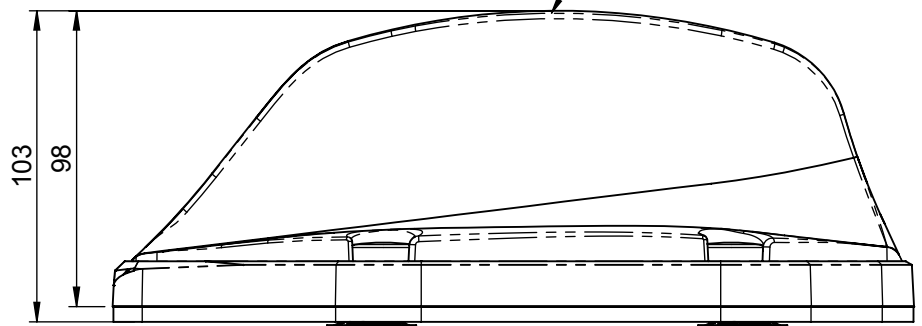
1 DEC. PLACE ±0.2 ANGULAR ±1°

△ DENOTES LATEST ISSUE CHANGES ○ DENOTES CRITICAL VALUE

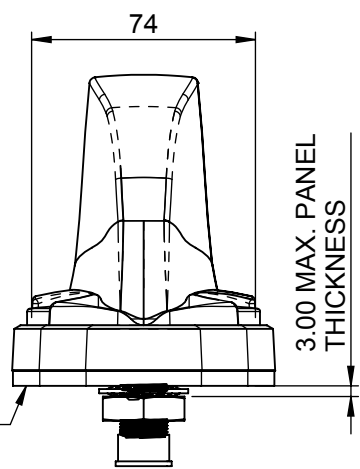


THIS DOCUMENT MUST NOT BE COPIED OR DISCLOSED TO A THIRD PARTY WITHOUT THE WRITTEN CONSENT OF PANORAMA ANTENNAS LTD.

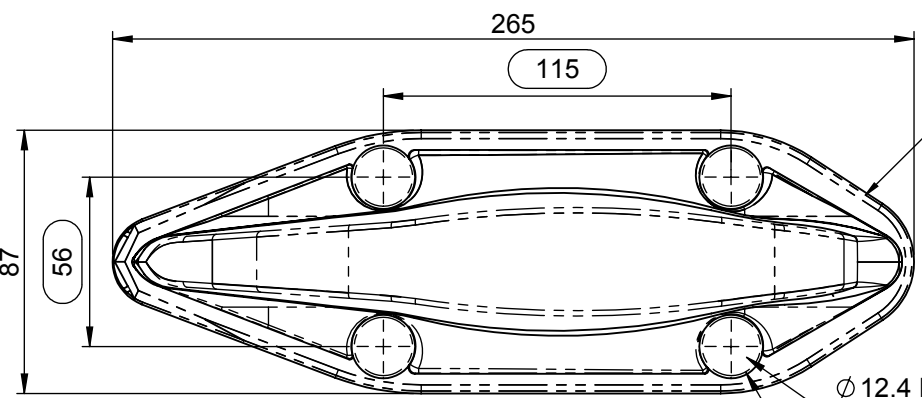
BLACK PEI ULTEM 1000 COVER:-  
HIGH IMPACT, UV STABILISED, FLAME  
RETARDANT UL94-V0, LOW SMOKE.



'N' TYPE SOCKET  
CONNECTOR 698 -  
2700MHZ DC GROUNDED  
IN 2 POSITIONS.  
PROTECTIVE CAPS  
SUPPLIED.



IP SEALING GASKET



ALUMINIUM ALLOY  
BASE WITH  
ABRASION AND  
CORROSION  
PROTECTION

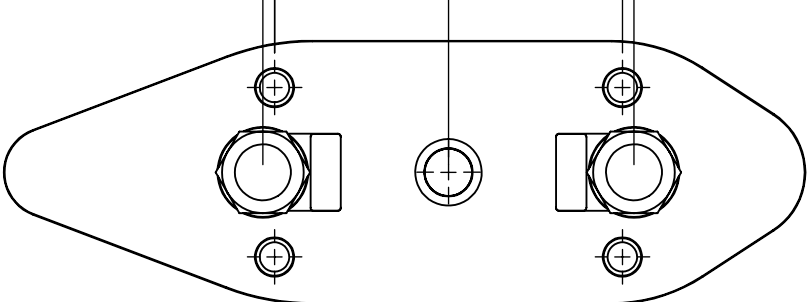
Ø 12.4 MOUNTING HOLE TYP.

Ø 19.7 C/BORE TYP.

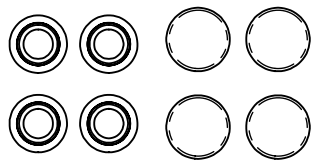
NOTES:

- SAMPLES MUST BE APPROVED BY PANORAMA ANTENNAS Q.C. BEFORE COMMENCING PRODUCTION.
- ALL PARTS MUST BE RoHS COMPLIANT AND MUST NOT CONTAIN ANY SUBSTANCES OF VERY HIGH CONCERN (SVHCs) LISTED UNDER REACH OR POLY-AROMATIC HYDROCARBONS (PAHs), OR PERSISTENT ORGANIC POLLUTANTS (POPs) CONTROLLED BY THE STOCKHOLM CONVENTION.

3.8 57.5 3.8



4 x M12 SEALING  
WASHERS AND BOLT CAPS  
SUPPLIED LOOSE



ISO VIEW  
SCALE 1:4

