

1

2

3

4

5

DRG. No. **LPMMBFFR-7-27** SHEET 1 OF 1PRODUCT/ASSEMBLY  
**MIMO AND DIVERSITY ANTENNAS**DESCRIPTION  
**LOW PROFILE 2G/3G/4G - FAKRA CONNECTORS - FLAME RETARDANT. BLACK.**MATERIAL  
N/AFINISH  
N/AWEIGHT  
480gAPPROVED  
KD DO.CHECK ICSCALE  
1:3 DIMENSIONS IN mm

DO NOT SCALE 3RD ANGLE PROJECTION

## REVISIONS

PCN	REV.	DESCRIPTION	DATE	DRN
01019	1	PRODUCTION ISSUE	04/02/2016	PE

TOLERANCES UNLESS OTHERWISE STATED

0 DEC. PLACE	±0.5	2 DEC. PLACES	±0.1
1 DEC. PLACE	±0.2	ANGULAR	±1°

	DENOTES LATEST ISSUE CHANGES		DENOTES CRITICAL VALUE
---	------------------------------	---	------------------------


**PANORAMA ANTENNAS**

THIS DOCUMENT MUST NOT BE COPIED OR DISCLOSED TO A THIRD PARTY WITHOUT THE WRITTEN CONSENT OF PANORAMA ANTENNAS LTD.

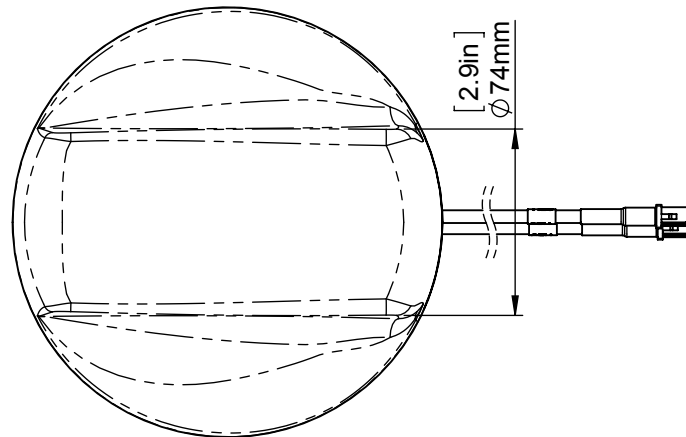
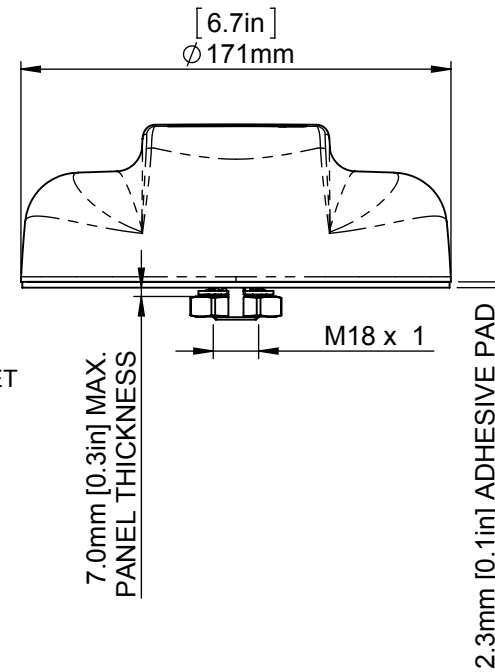
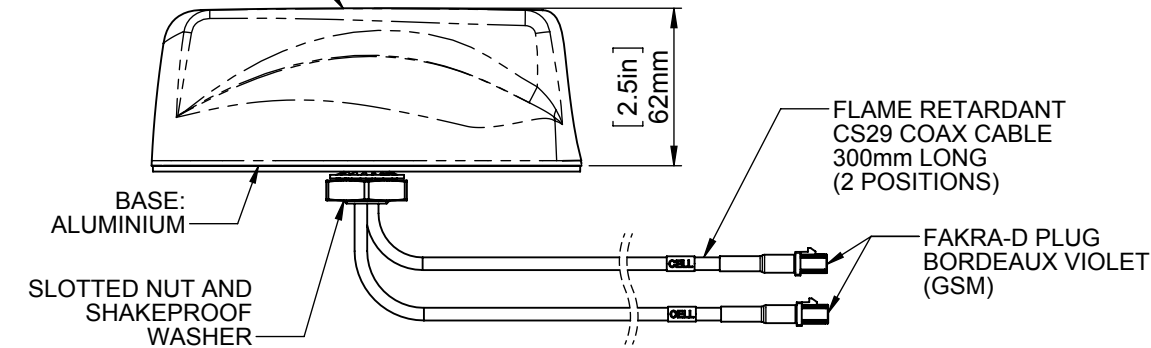
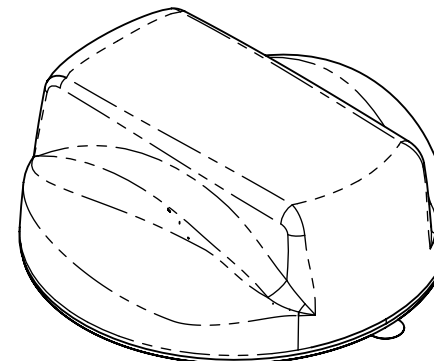
© 2015

A4

OPERATING FREQUENCIES:

CELL FEED 1: 698-960 / 1710-2700 MHz  
CELL FEED 2: 698-960 / 1710-2700 MHz

HOUSING MOULDED IN BLACK FLAME RETARDANT POLYCARBONATE

ISO VIEW  
SCALE 1:3

## NOTES:

- SAMPLES MUST BE APPROVED BY PANORAMA ANTENNAS Q.C. BEFORE COMMENCING PRODUCTION.
- ALL PARTS MUST BE RoHS COMPLIANT AND MUST NOT CONTAIN ANY SUBSTANCES OF VERY HIGH CONCERN (SVHCs) LISTED UNDER REACH OR POLY-AROMATIC HYDROCARBONS (PAHs), OR PERSISTENT ORGANIC POLLUTANTS (POPs) CONTROLLED BY THE STOCKHOLM CONVENTION.