

PRODUCT/ASSEMBLY
MIMO AND DIVERSITY ANTENNAS

DESCRIPTION
LOW PROFILE 2G/3G/4G - FAKRA CONNECTORS - FLAME RETARDANT

MATERIAL
N/A

FINISH
N/A

WEIGHT
480g

APPROVED **KD** DO.CHECK **IC**

SCALE **1:3** DIMENSIONS IN mm

DO NOT SCALE 3RD ANGLE PROJECTION

REVISIONS

PCN	REV.	DESCRIPTION	DATE	DRN
01019	1	PRODUCTION ISSUE	04/02/2016	PE

TOLERANCES UNLESS OTHERWISE STATED

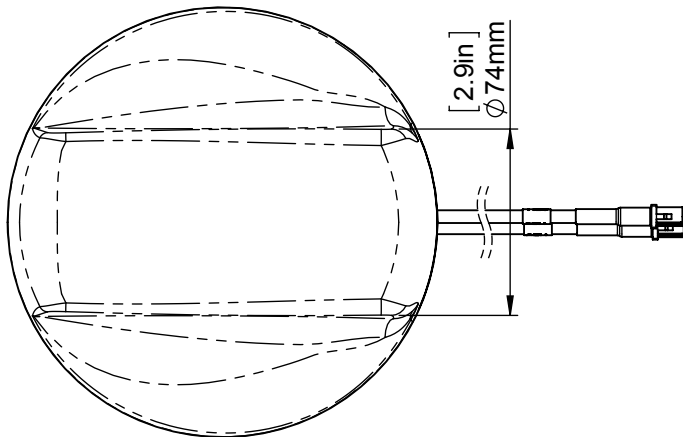
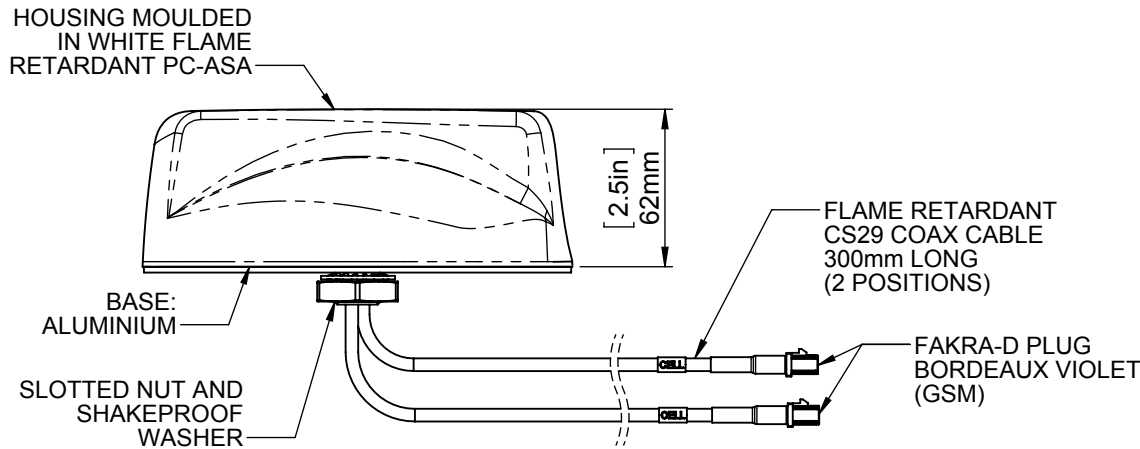
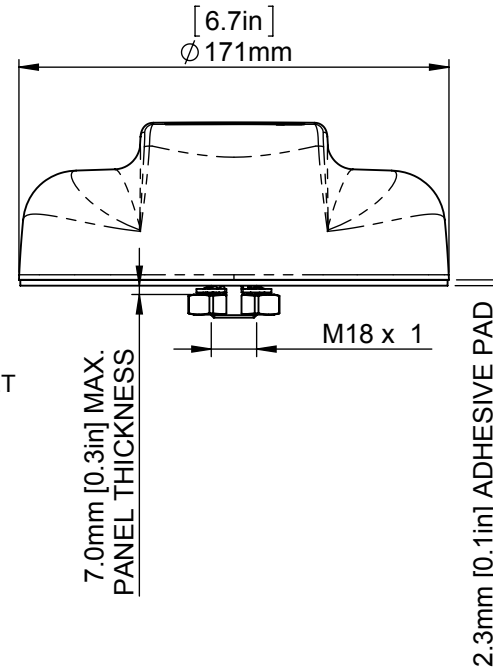
0 DEC. PLACE	±0.5	2 DEC. PLACES	±0.1
1 DEC. PLACE	±0.2	ANGULAR	±1°

△ DENOTES LATEST ISSUE CHANGES ○ DENOTES CRITICAL VALUE

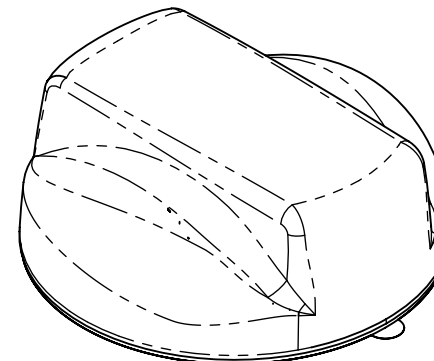


THIS DOCUMENT MUST NOT BE COPIED OR DISCLOSED TO A THIRD PARTY WITHOUT THE WRITTEN CONSENT OF PANORAMA ANTENNAS LTD.

OPERATING FREQUENCIES:
CELL FEED 1: 698-960 / 1710-2700 MHz
CELL FEED 2: 698-960 / 1710-2700 MHz



ISO VIEW SCALE 1:3



NOTES:

- SAMPLES MUST BE APPROVED BY PANORAMA ANTENNAS Q.C. BEFORE COMMENCING PRODUCTION.
- ALL PARTS MUST BE RoHS COMPLIANT AND MUST NOT CONTAIN ANY SUBSTANCES OF VERY HIGH CONCERN (SVHCs) LISTED UNDER REACH OR POLY-AROMATIC HYDROCARBONS (PAHs), OR PERSISTENT ORGANIC POLLUTANTS (POPs) CONTROLLED BY THE STOCKHOLM CONVENTION.

A

B

C

D