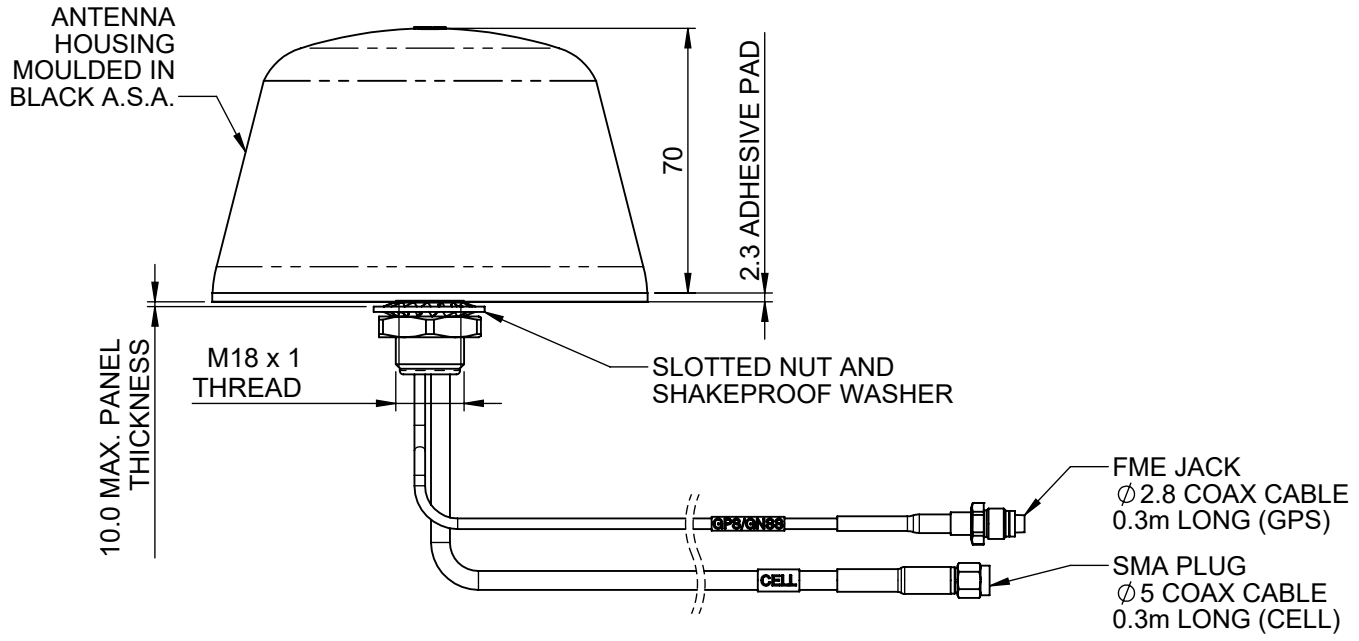
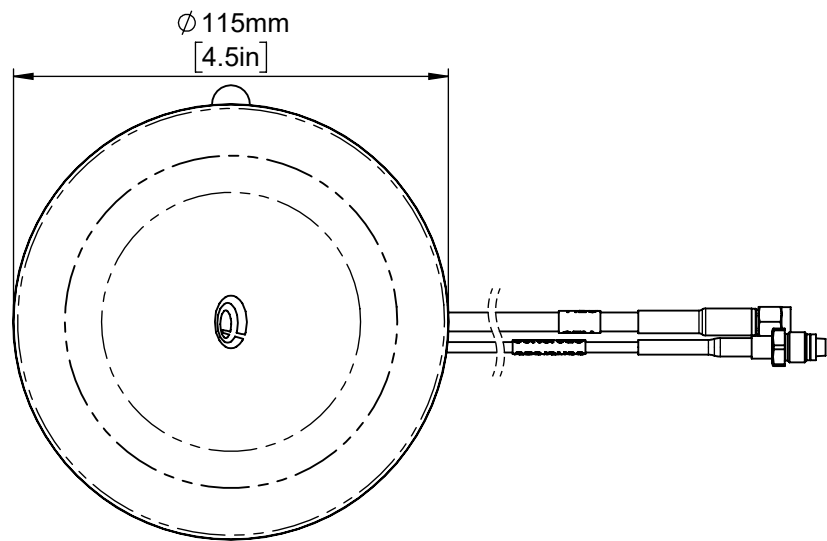


OPERATING FREQUENCIES:

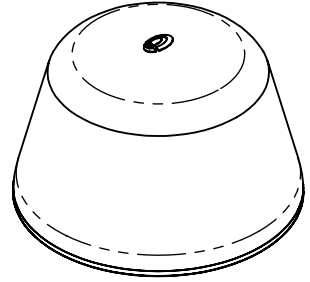
CELL FEED: 698-960 / 1710-2700 MHz
GPS FEED: 1575 MHz 26dB LNA

TOLERANCES UNLESS OTHERWISE STATED			
0 DEC. PLACE	±0.5	2 DEC. PLACES	±0.1
1 DEC. PLACE	±0.2	ANGULAR	±1°

A
B
C
D
E
F



ISO VIEW
SCALE 1:2



NOTES:

1. SAMPLES MUST BE APPROVED BY PANORAMA ANTENNAS Q.C. BEFORE COMMENCING PRODUCTION.
2. ALL PARTS MUST BE RoHS COMPLIANT AND MUST NOT CONTAIN ANY SUBSTANCES OF VERY HIGH CONCERN (SVHCs) LISTED UNDER REACH OR POLY-AROMATIC HYDROCARBONS (PAHs), OR PERSISTENT ORGANIC POLLUTANTS (POPs) CONTROLLED BY THE STOCKHOLM CONVENTION.

PRODUCT/ASSEMBLY MiMo AND DIVERSITY PRODUCTS					DESCRIPTION LOW PROFILE 2G/3G/4G +GPS ANTENNA				
MATERIAL N/A									
01019	2	COVER, BASE AND 5mm CABLE UPDATED. SEALING O-RING ADDED.	19/11/2015	PE	FINISH N/A	APPROVED KD	D.O.CHECK KW	SCALE 1:2	DIMENSIONS IN mm
01019	3	NOTES AND P-DRAWING UPDATED	02/09/2016	PE					
PCN	REV.	DESCRIPTION	DATE	DRN	WEIGHT 215g	SHEET 1 OF 1			