

OPERATING FREQUENCIES:

CELL FEED: 698-960 / 1710-2700 MHz  
 WIFI FEED 1: 2400/4900-6000 MHz  
 WIFI FEED 2: 2400/4900-6000 MHz  
 GPS FEED: 1575 MHz 26dB LNA

| TOLERANCES UNLESS OTHERWISE STATED |      |               |      |
|------------------------------------|------|---------------|------|
| 0 DEC. PLACE                       | ±0.5 | 2 DEC. PLACES | ±0.1 |
| 1 DEC. PLACE                       | ±0.2 | ANGULAR       | ±1°  |

A

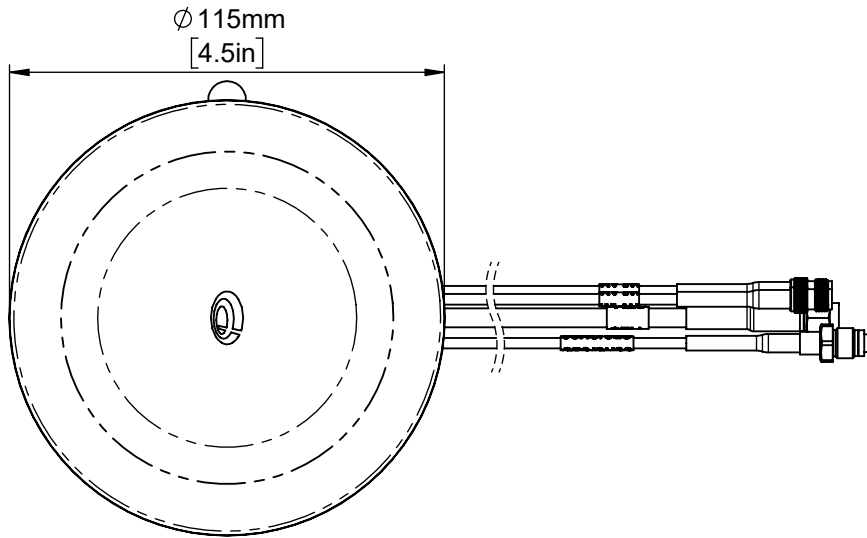
B

C

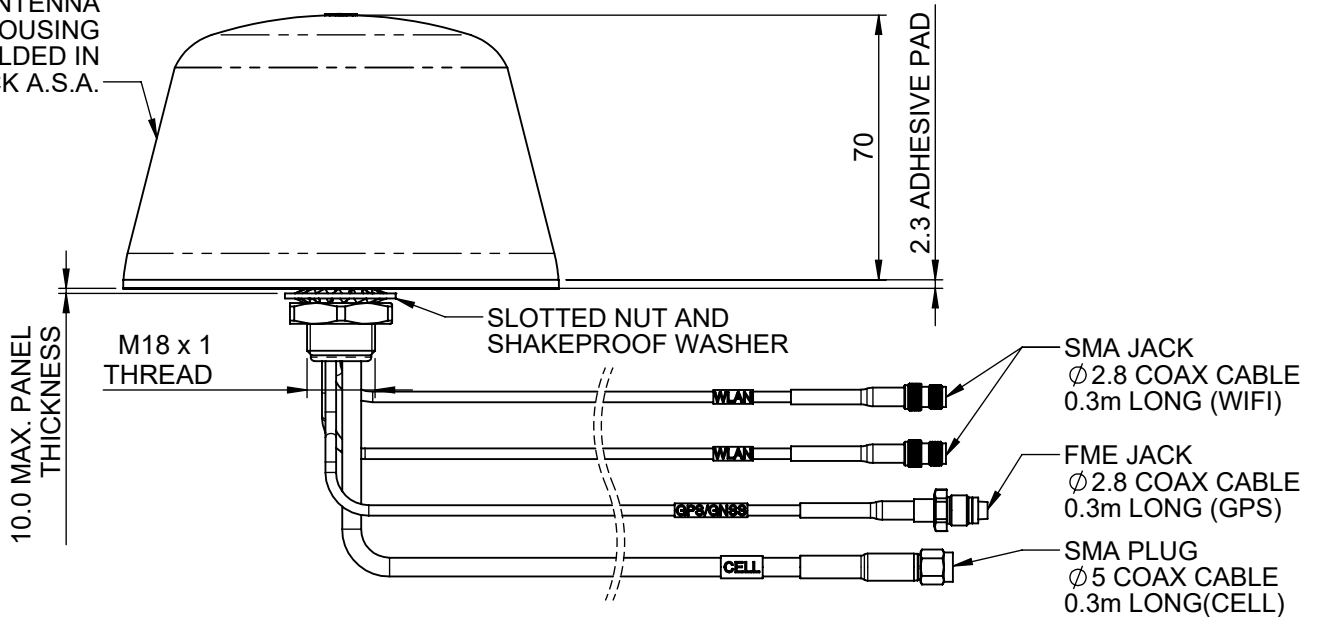
D

E

F



ANTENNA HOUSING MOULDED IN BLACK A.S.A.

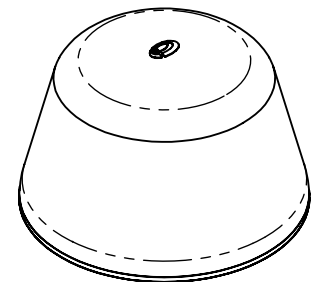


10.0 MAX. PANEL THICKNESS

NOTES:

- SAMPLES MUST BE APPROVED BY PANORAMA ANTENNAS Q.C. BEFORE COMMENCING PRODUCTION.
- ALL MATERIALS SUPPLIED MUST BE RoHS2 (DIRECTIVE 2011/65/EU) COMPLIANT AND MUST NOT CONTAIN ANY SUBSTANCES OF VERY HIGH CONCERN (SVHCs) LISTED UNDER REACH OR POLY-AROMATIC HYDROCARBONS (PAHs), OR PERSISTENT ORGANIC POLLUTANTS (POPs) CONTROLLED BY THE STOCKHOLM CONVENTION.

ISO VIEW SCALE 1:2



|       |      |  |            |     | PRODUCT/ASSEMBLY            | DESCRIPTION                                   |          |    |           |    |           |                  |
|-------|------|--|------------|-----|-----------------------------|---|----------|----|-----------|----|-----------|------------------|
|       |      |  |            |     | MiMo AND DIVERSITY PRODUCTS | LOW PROFILE 2G/3G/4G MiMo 2.4/5.8+GPS ANTENNA |          |    |           |    |           |                  |
|       |      |  |            |     | MATERIAL                    | N/A   |          |    |           |    |           |                  |
| 01019 | 3    | COVER, BASE AND 5mm CABLE UPDATED. SEALING O-RING ADDED. | 02/12/2015 | PE  | FINISH                      | N/A   |          |    |           |    |           |                  |
| 01019 | 4    | 3D CONFIGURATIONS UPDATED                                | 29/09/2016 | IC  |                             |   |          |    |           |    |           |                  |
| PCN   | REV. | DESCRIPTION  | DATE       | DRN | WEIGHT 215g                 | SHEET 1 OF 1                                  | APPROVED | KD | D.O.CHECK | PE | SCALE 1:2 | DIMENSIONS IN mm |
|       |      |  |            |     |                             |   |          |    |           |    |           |                  |