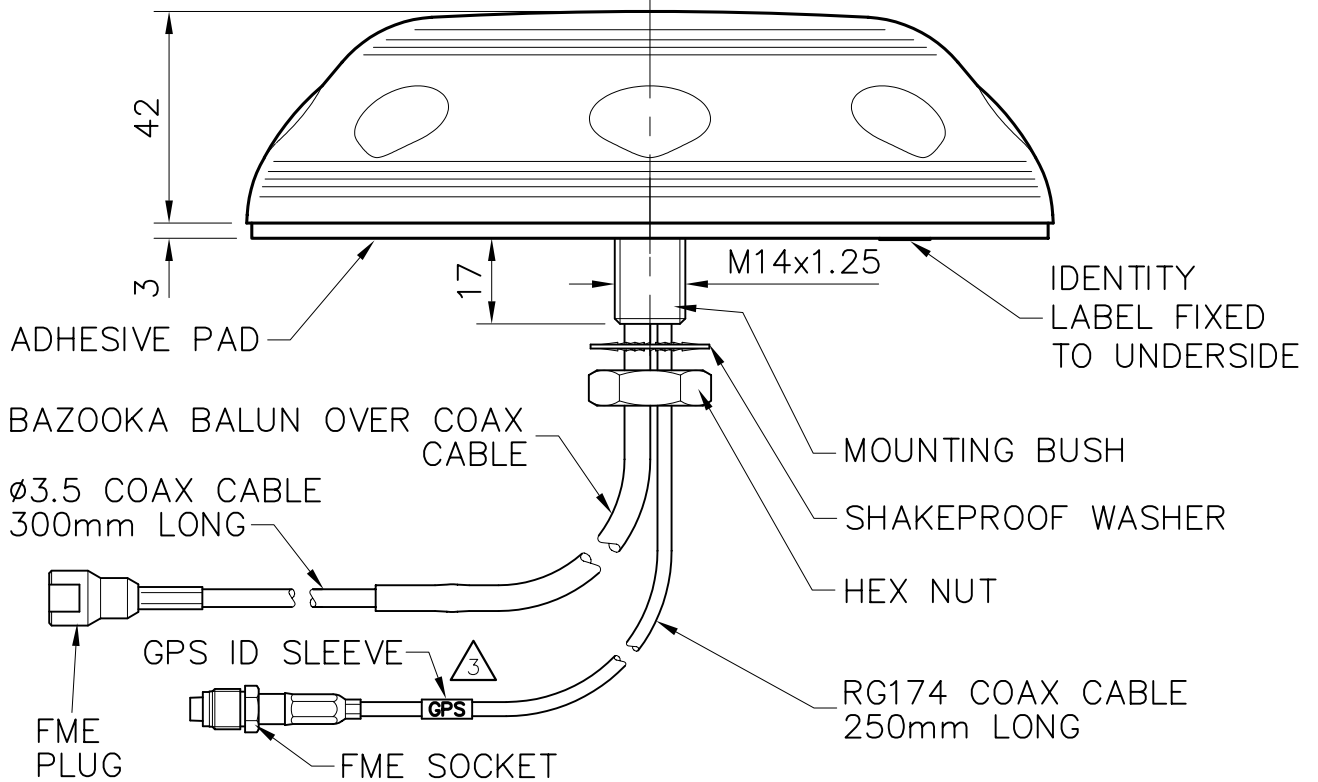
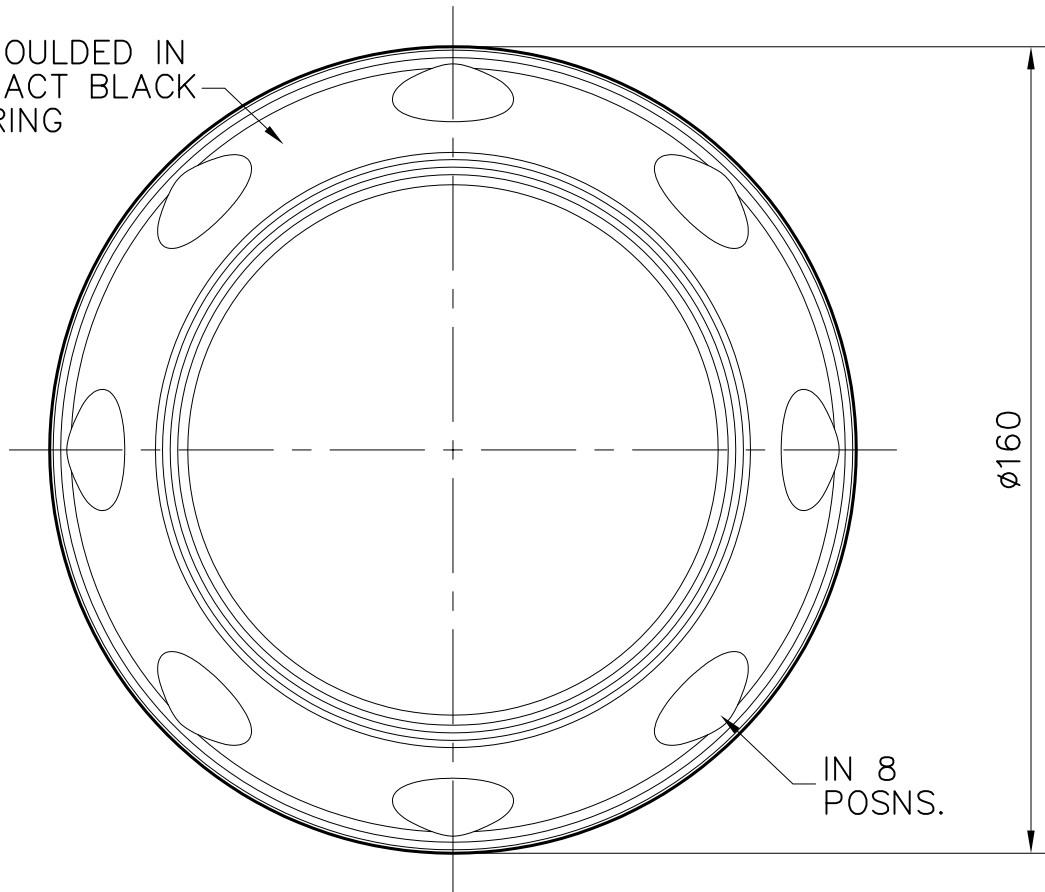


LG390

DRG. No.

THIS IS A PROPRIETARY ITEM OF PANORAMA ANTENNAS LTD. AND COULD BE SUBJECT TO CHANGE WITHOUT PRIOR NOTICE. THIS ITEM IS ROHS COMPLIANT.

COVER MOULDED IN HIGH IMPACT BLACK ENGINEERING PLASTIC



— DENOTES LATEST ISSUE CHANGES



01019	1	15.11.06	K.D.	TOLERANCES UNLESS OTHERWISE STATED 0 DEC. PLACE ±0.5 2 DEC. PLACES ±0.1 1 DEC. PLACE ±0.2 ANGULAR ±1°
01019	2	16.04.08	K.D.	
01019	3	20.03.12	K.D.	
				MATERIAL
				FINISH
C/NOTE	ISSUE	DATE	APPROVAL	

TITLE
**GPS + TETRA 380-400 MHz.
LOW PROFILE ANTENNA**

DRAWN A.G.	DO.CHECK K.D.	SCALE 2:3	DIMENSIONS IN mm
---------------	------------------	--------------	---------------------

PANORAMA ANTENNAS