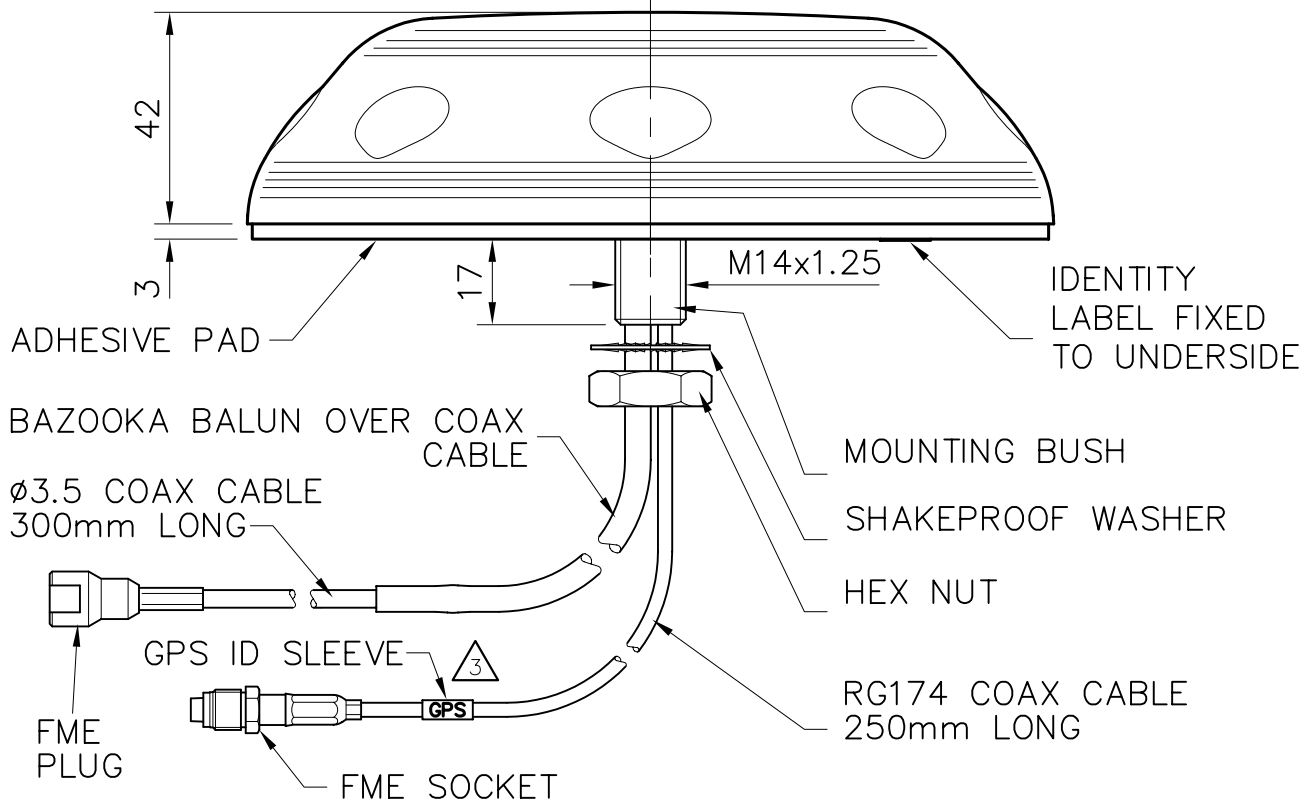
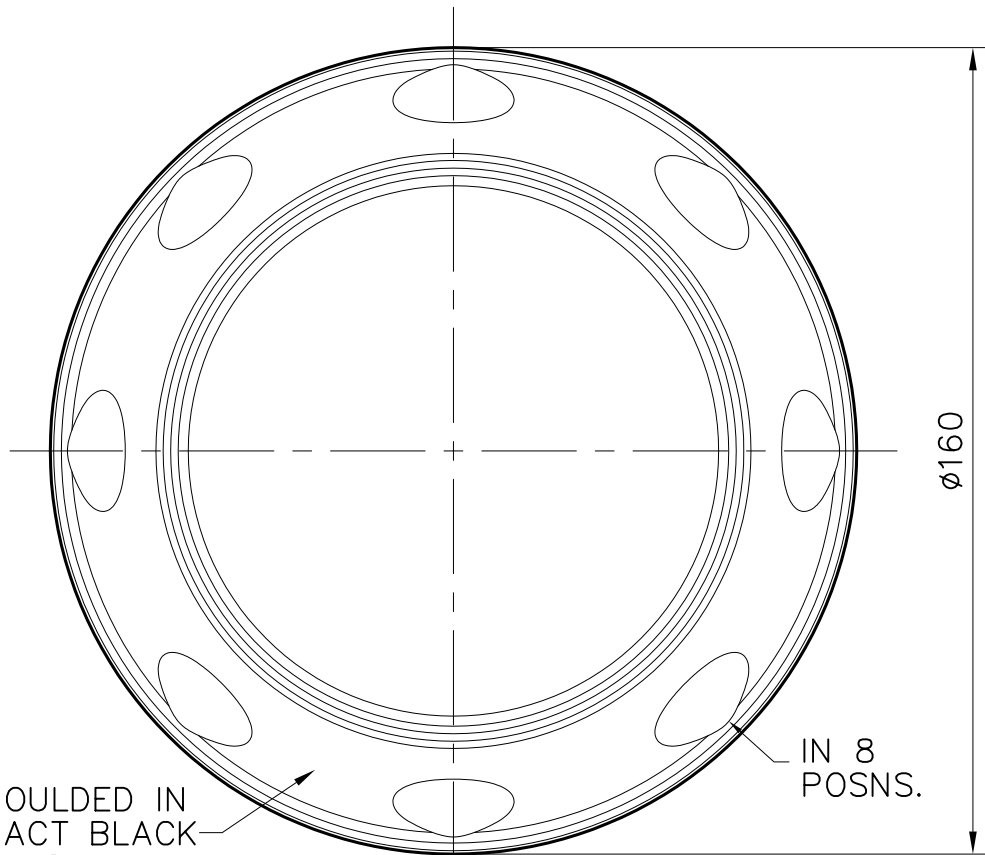


LG420

DRG. No.

THIS IS A PROPRIETARY ITEM OF PANORAMA ANTENNAS LTD. AND COULD BE SUBJECT TO CHANGE WITHOUT PRIOR NOTICE. THIS ITEM IS ROHS COMPLIANT.



— DENOTES LATEST ISSUE CHANGES



C/NOTE	ISSUE	DATE	APPROVAL
01019	1	11.01.07	K.D.
01019	2	16.04.08	K.D.
01019	3	20.03.12	K.D.

TOLERANCES UNLESS OTHERWISE STATED 0 DEC. PLACE ±0.5 2 DEC. PLACES ±0.1 1 DEC. PLACE ±0.2 ANGULAR ±1°
MATERIAL
FINISH

TITLE GPS + TETRA 410-430 MHz LOW PROFILE ANTENNA			
DRAWN B.L.	DO.CHECK K.D.	SCALE 2:3	DIMENSIONS IN mm
PANORAMA ANTENNAS			