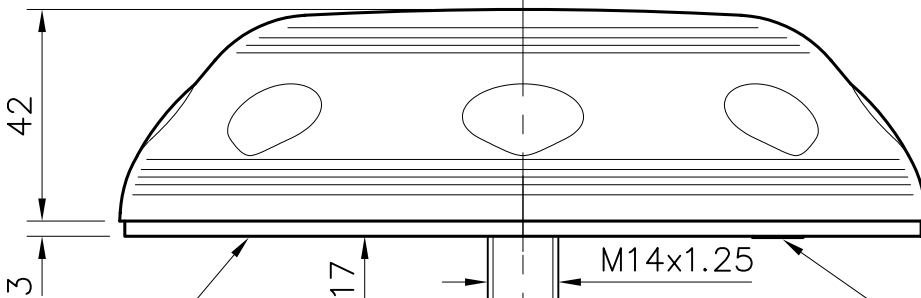
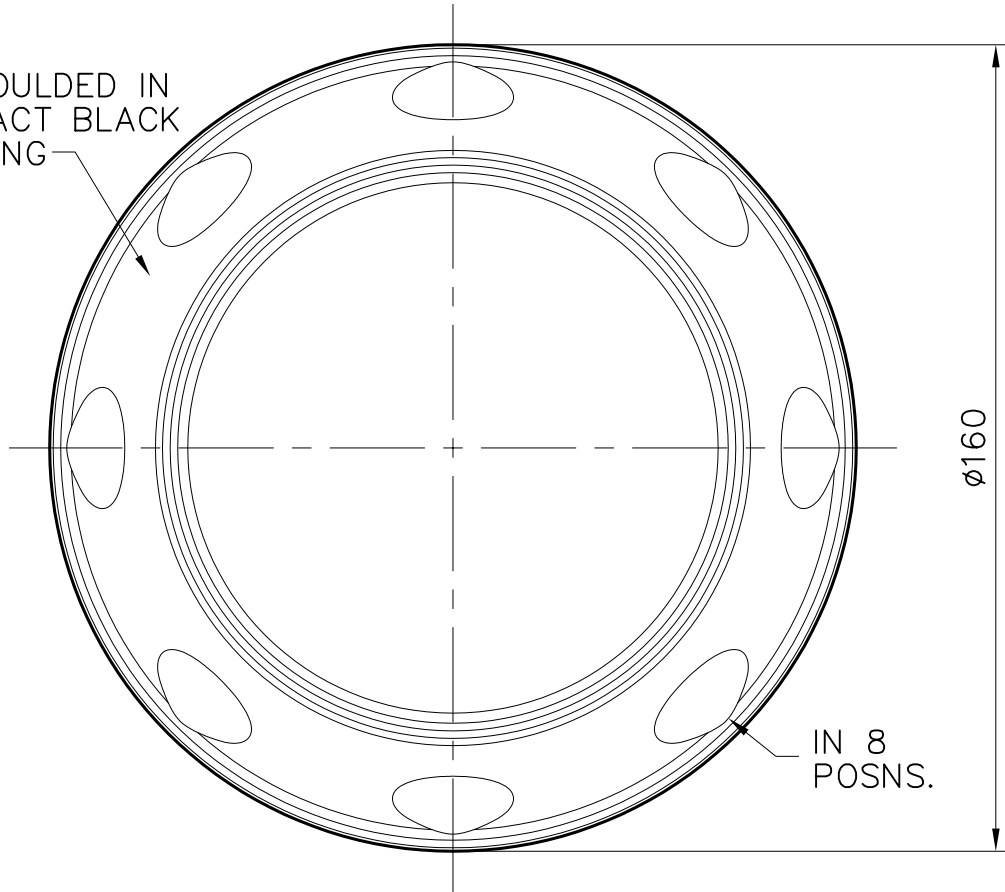


LG460

DRG. No.

THIS IS A PROPRIETARY ITEM OF PANORAMA ANTENNAS LTD. AND COULD BE SUBJECT TO CHANGE WITHOUT PRIOR NOTICE. THIS ITEM IS ROHS COMPLIANT.

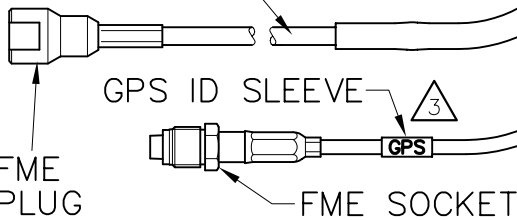
COVER MOULDED IN HIGH IMPACT BLACK ENGINEERING PLASTIC



ADHESIVE PAD

BAZOOKA BALUN OVER COAX CABLE

ø3.5 COAX CABLE 300mm LONG



GPS ID SLEEVE

FME PLUG

FME SOCKET

17

M14x1.25

IDENTITY LABEL FIXED TO UNDERSIDE

MOUNTING BUSH

SHAKEPROOF WASHER

HEX NUT

RG174 COAX CABLE 250mm LONG

— DENOTES LATEST ISSUE CHANGES



01019	1	21.12.06	K.D.	TOLERANCES UNLESS OTHERWISE STATED 0 DEC. PLACE ±0.5 2 DEC. PLACES ±0.1 1 DEC. PLACE ±0.2 ANGULAR ±1°
01019	2	16.04.08	K.D.	
01019	3	20.03.12	K.D.	
				MATERIAL
				FINISH
C/NOTE	ISSUE	DATE	APPROVAL	

TITLE
**GPS + TETRA 450-470 MHz.
LOW PROFILE ANTENNA**

DRAWN A.G.	DO.CHECK K.D.	SCALE 2:3	DIMENSIONS IN mm
---------------	------------------	--------------	---------------------

PANORAMA ANTENNAS