

| PART No. | 'L'— mm | TOL.— mm | CABLE | TERMINATION | LENGTHS—DIAMETERS | | | | | |
|----------|---------|----------|-------|-------------|-------------------|-----|--------|------|--------|------|
| | | | | | STEP 1 | | STEP 2 | | STEP 3 | |
| | | | | | L1 | ∅1 | L2 | ∅2 | L3 | ∅3 |
| C23B-1B | 1000 | +100 -0 | URM76 | BNC | 8 | 3.6 | 12 | 2.84 | 16 | 0.98 |
| C23B-2B | 2000 | +100 -0 | | | | | | | | |
| C23B-3B | 3000 | +100 -0 | | | | | | | | |
| C23B-4B | 4000 | +100 -0 | | | | | | | | |
| C23B-5B | 5000 | +100 -0 | | | | | | | | |

ELECTRICAL TEST — EACH CABLE.

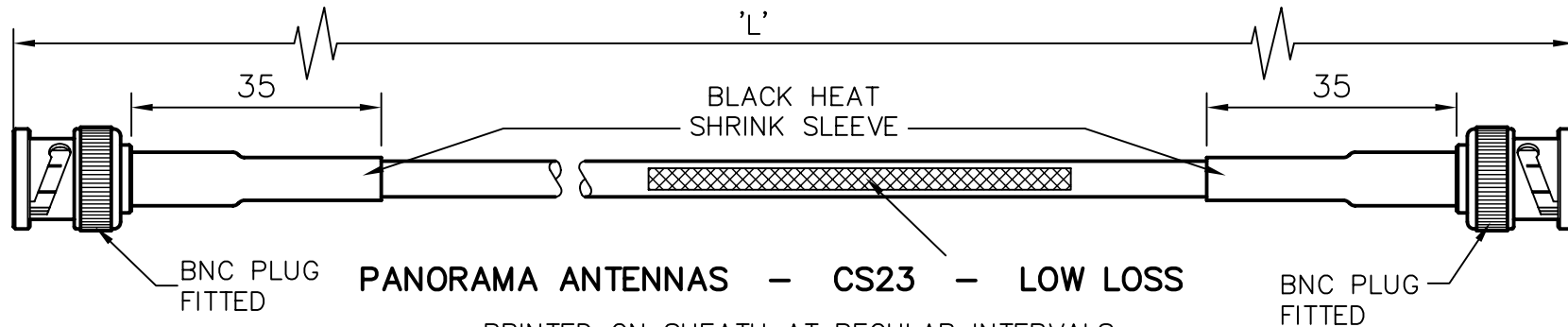
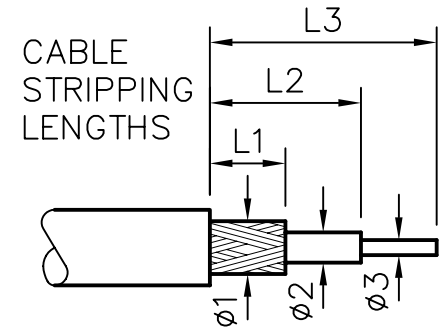
1. CENTRE CONDUCTOR/OUTER SCREEN ISOLATION 1KV MIN.
2. CENTRE CONDUCTOR END TO END TEST.

TENSILE PULL TEST SAMPLE/ASSEMBLY PER 3000 BATCH.

1. PULLING LOAD — CONNECTOR BODY — 5Kg.
2. PULLING LOAD — CENTRE PIN — 2Kg.

CS23 CABLE PERFORMANCE TEST SAMPLE PER 10000 m BATCH.

1. IMPEDANCE 50? ±2? @ 1GHz. & 50? ±4? @ 2GHz.
2. LOSS NO GREATER THAN 0.5dB/m @ 1GHz. & 0.75dB/m @ 2GHz.



| | | | | | | | | |
|--------|-------|----------|----------|---|---|------------------|--------------|---------------------|
| 01019 | 1 | 16.12.08 | K.D. | TOLERANCES UNLESS OTHERWISE STATED 0 DEC. PLACE ±0.5 2 DEC. PLACES ±0.1 1 DEC. PLACE ±0.2 ANGULAR ±1° | TITLE C23 CABLE — BNC PLUG/BNC PLUG VARIATIONS | | | |
| | | | | MATERIAL | | | | |
| | | | | FINISH | DRAWN A.G. | DO.CHECK K.D. | SCALE 1:1 | DIMENSIONS IN mm |
| C/NOTE | ISSUE | DATE | APPROVAL | | PANORAMA ANTENNAS | | | |