

	3RD ANGLE PROJECTION		DO NOT SCALE
	DENOTES LATEST ISSUE CHANGES		DENOTES CRITICAL VALUE
TOLERANCES UNLESS OTHERWISE STATED			
0 DEC. PLACE	±0.5	2 DEC. PLACES	±0.1
1 DEC. PLACE	±0.2	ANGULAR	±1°

CABLE	TERMINATION	STRIPPING LENGTHS - DIAMETERS					
		STEP 1		STEP 2		STEP 3	
		L1	Ø1	L2	Ø2	L3	Ø3
URM76	FME	8	3.6	12	3.0	16	0.96
URM76	TNC	8	3.6	12	3.0	16	0.96

PART No.	'L' - mm	TOL. - mm	WEIGHT (g)
C23F-1T	1000	+100 -0	56
C23F-150T	1500	+100 -0	74
C23F-175T	1750	+100 -0	83
C23F-2T	2000	+100 -0	92
C23F-3T	3000	+100 -0	128
C23F-4T	4000	+100 -0	164
C23F-5T	5000	+100 -0	200
C23F-6T	6000	+100 -0	236
C23F-10T	10000	+100 -0	380
C23F-3-3T	3300	+100 -0	139
C23F-3-4T	3400	+100 -0	142
C23F-12T	12000	+100 -0	432

CABLE SPECIFICATION VALUES:-

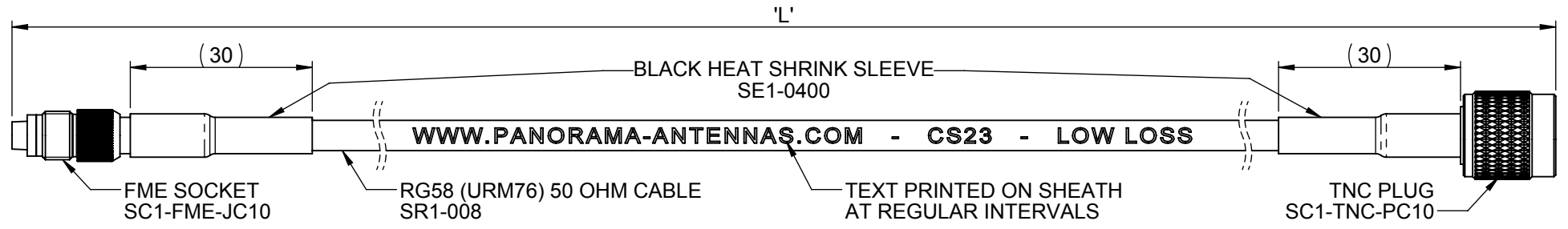
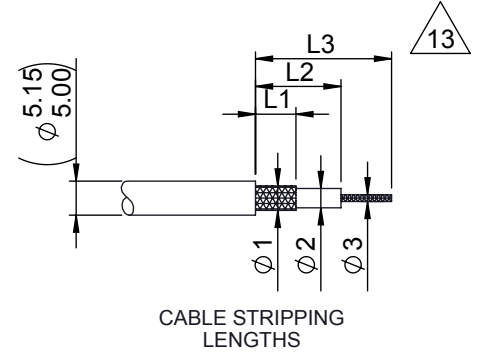
- CHARACTERISTIC IMPEDANCE:-  
50Ω ±2Ω @ 1GHZ  
50Ω ±4Ω @ 2GHZ
- ATTENUATION:-  
NO GREATER THAN 0.5 dB/m AT 1 GHZ.  
NO GREATER THAN 0.75 dB/m AT 2 GHZ.
- MAX. PEAK VOLTAGE:- 1.5kV DC.
- BRAID RESISTANCE PER 10m LESS THAN 160mΩ.
- SHIELDING EFFECTIVENESS ACCORDING TO IEC61196 TO BE < - 55dB AT 30-10000 MHZ.

GENERAL NOTES:-

- ALL PARTS MUST BE RoHS COMPLIANT AND MUST NOT CONTAIN ANY SUBSTANCES OF VERY HIGH CONCERN (SVHCs) LISTED UNDER REACH OR POLY-AROMATIC HYDROCARBONS (PAHs), OR PERSISTENT ORGANIC POLLUTANTS (POPs) CONTROLLED BY THE STOCKHOLM CONVENTION.
- CABLE SHEATH TO BE BLACK, UV STABILISED PACREL 6385N TPE.
- PRINTING MUST BE DURABLE AND ENVIRONMENTALLY RESISTANT.
- CONNECTORS MUST CONFORM TO STANDARD INTERFACE DIMENSIONS.
- SAMPLES MUST BE APPROVED BY PANORAMA ANTENNAS Q.C. BEFORE COMMENCING PRODUCTION.
- IN ORDER TO ASSURE COMPLIANCE WITH THE U.S. DODD-FRANK ACT (SECTION 1502) TIN, GOLD, TANTALUM & TUNGSTEN CONTAINED IN PANORAMA PRODUCTS MUST BE FULLY TRACEABLE TO A SMELTER APPROVED BY THE CONFLICT FREE SOURCING INITIATIVE ([www.conflictreesmelter.org](http://www.conflictreesmelter.org))

SPECIFICATION NOTES:

- ELECTRICAL TEST - EACH CABLE. CENTRE CONDUCTOR/OUTER SCREEN ISOLATION 1KV MIN. CENTRE CONDUCTOR END TO END TEST.
- TENSILE PULL TEST SAMPLE/ASSEMBLY PER 3000 BATCH. PULLING LOAD - CONNECTOR BODY - 5Kg. PULLING LOAD - CENTRE PIN - 2Kg.
- CS23 CABLE PERFORMANCE TEST SAMPLE PER 10000 m BATCH. IMPEDANCE 50Ω ±2Ω @ 1GHz. & 50Ω ±4Ω @ 2GHz. LOSS NO GREATER THAN 0.5dB/m @ 1GHz. & 0.75dB/m @ 2GHz.



PRODUCT/ASSEMBLY CABLES AND CABLE ASSEMBLIES		DESCRIPTION FME SOCKET -TNC PLUG CS23 CABLE ASSEMBLY - VARIOUS			
MATERIAL N/A		APPROVED KD	DO.CHECK KD	SCALE 1:1	DIMENSIONS IN mm
FINISH N/A					
WEIGHT SEE TABLE	SHEET 1 OF 1				

01019	13	REDRAWN IN 2D AND 3D. NOTES UPDATED. SHROUD REMOVED. WEIGHTS ADDED.	13/01/2015	PE
PCN	REV.	DESCRIPTION OF CHANGE	DATE	DRAWN
REVISIONS				