

PROJECTION

DO NOT SCALE



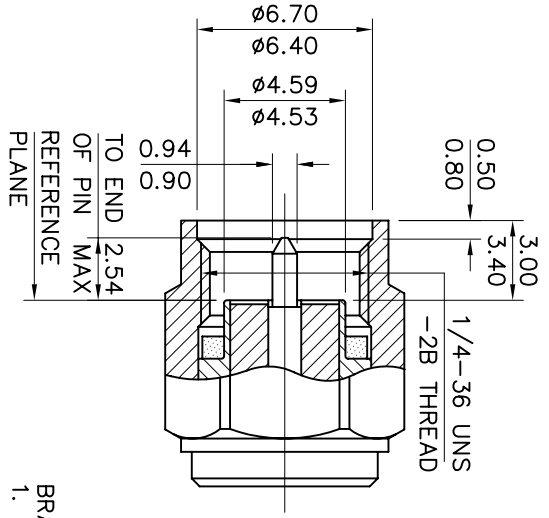
DENOTES LATEST ISSUE CHANGES

© 2014 A4

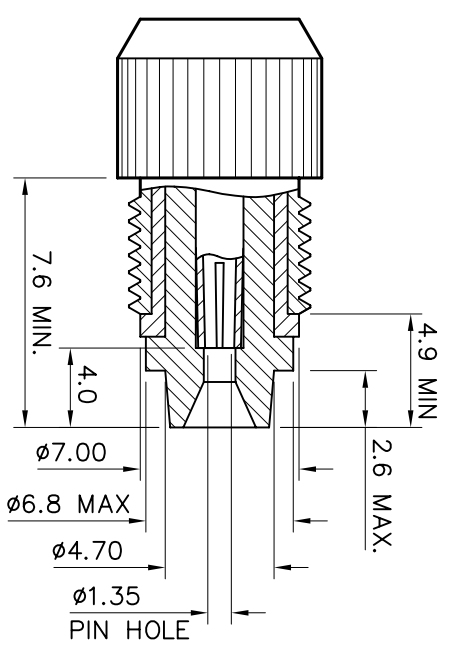
THIS DOCUMENT MUST NOT BE COPIED OR DISCLOSED TO A THIRD PARTY WITHOUT THE WRITTEN CONSENT OF PANORAMA ANTENNAS LTD.

DRG. No.

C32SP-3F



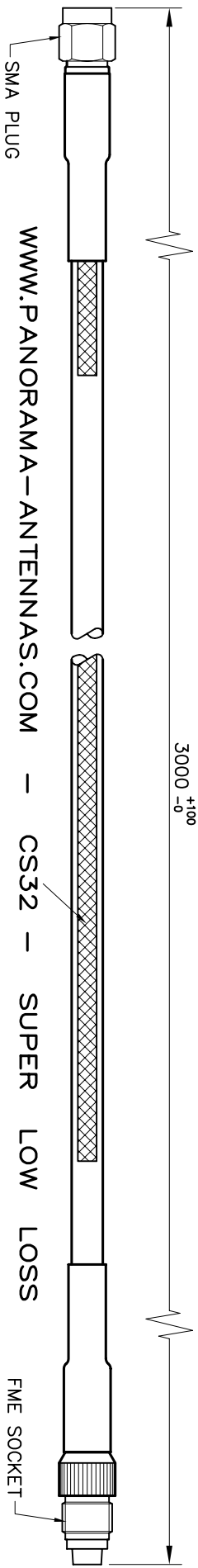
- ELECTRICAL TEST - EACH CABLE
1. CENTRE CONDUCTOR/OUTER SCREEN ISOLATION 1KV MIN.
 2. CENTRE CONDUCTOR END TO END TEST.
- TENSILE PULL TEST SAMPLE/ASSEMBLY PER 3000 BATCH.
1. PULLING LOAD - CONNECTOR BODY - 5Kg.
 2. PULLING LOAD - CENTRE PIN - 2Kg.
- CS32 CABLE PERFORMANCE TEST SAMPLE PER 10000m BATCH.
1. VSWR: -UP TO 1GHZ. < 1.1:1
1GHZ. TO 5.8GHZ. < 1.15:1
 4. ATTENUATION: -
NO GREATER THAN 4DB.
PER 10m AT 1 GHZ.
NO GREATER THAN 6.5DB
PER 10m AT 2.5GHZ.
NO GREATER THAN 10dB
PER 10m AT 5.8GHZ.
- BRAID RESISTANCE TEST
1. BRAID RESISTANCE PER 10m LESS THAN 160m Ω



ENLARGED DETAIL OF SMA PLUG.

- NOTES: -
1. OUTER SHEATH MUST BE U.V. LIGHT STABILIZED.
 2. ALL PARTS MUST BE ROHS COMPLIANT.
 3. BOTH CONNECTORS MUST CONFIRM TO STANDARD INTERFACE DIMENSIONS SHOWN.

- SPECIFICATION VALUES: -
1. CABLE TO CONFORM TO THE FOLLOWING STANDARDS :-
IEC 60332-1
IEC 60754-1/2
IEC 1034



TEXT TO BE PRINTED IN WHITE ON CABLE SHEATH AT REGULAR INTERVALS

01019	1	15.05.14	K.D.	TOLERANCES UNLESS OTHERWISE STATED
				0 DEC. PLACE ± 0.5 2 DEC. PLACES ± 0.1
				1 DEC. PLACE ± 0.2 ANGULAR $\pm 1'$
				MATERIAL
				FINISH

TITLE			
SMA PLUG - FME SOCKET			
3m CS32 COAX CABLE ASSEMBLY			
DRAWN	DO.CHECK	SCALE	DIMENSIONS
A.G.	K.D.	1:1	IN mm

THIS IS A PROPRIETARY ITEM OF PANORAMA ANTENNAS LTD. AND COULD BE SUBJECT TO CHANGE WITHOUT PRIOR NOTICE. THIS ITEM IS ROHS COMPLIANT.

