

TOLERANCES UNLESS OTHERWISE STATED

0 DEC. PLACE	±0.5	2 DEC. PLACES	±0.1
1 DEC. PLACE	±0.2	ANGULAR	±1°

ELECTRICAL TEST - EACH CABLE.

- CENTRE CONDUCTOR/OUTER SCREEN ISOLATION 1KV MIN.
- CENTRE CONDUCTOR END TO END TEST.

TENSILE PULL TEST SAMPLE/ASSEMBLY PER 3000 BATCH.

- PULLING LOAD - CONNECTOR BODY - 5Kg.
- PULLING LOAD - CENTRE PIN - 2Kg.

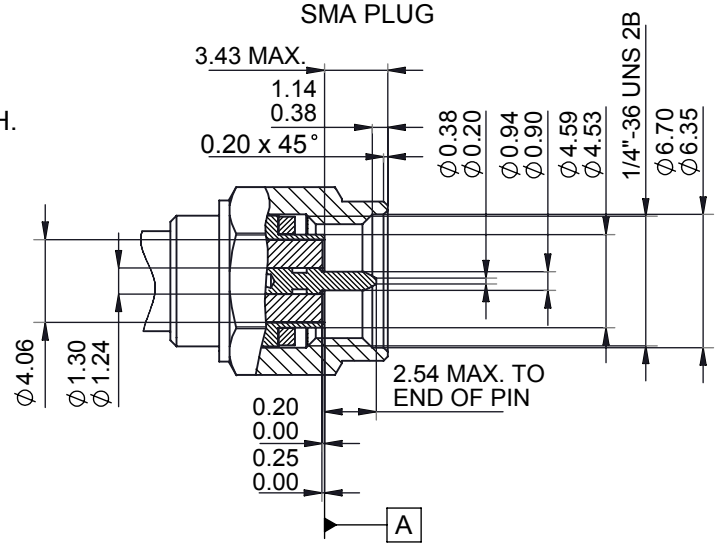
CS32 CABLE PERFORMANCE TEST SAMPLE PER 10000 m BATCH.

- VSWR UO TO 1GHz. < 1.1:1
1GHz. TO 5.8GHz < 1.15:1
- ATTENUATION:
NO GREATER THAN 3.5dB/m PER 10m @ 1GHz.
NO GREATER THAN 5.5dB/m PER 10m @ 2.5GHz.
NO GREATER THAN 10dB/m PER 10m @ 5.8GHz.

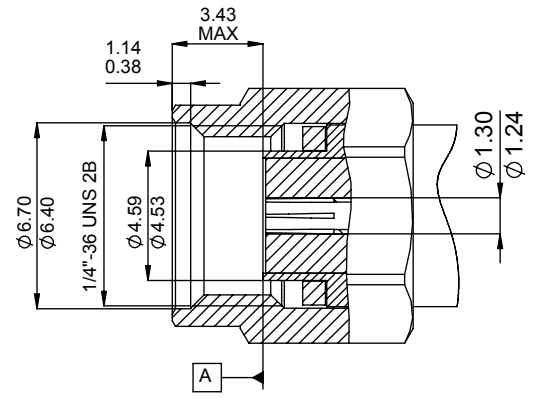
BRAID RESISTANCE TEST

- BRAID RESISTANCE PER 10m LESS THAN 160mΩ.

**DETAIL 2
SMA PLUG**



**DETAIL 1
REVERSE POLARITY SMA PLUG**

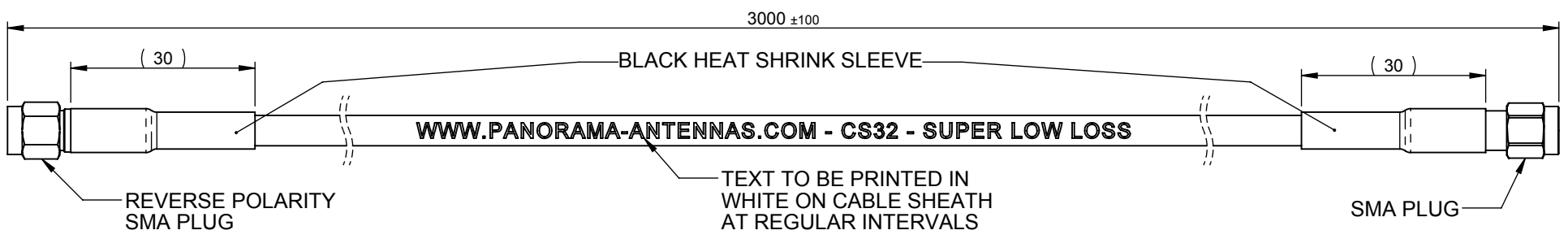


NOTES:

- OUTER SHEATH MUST BE U.V. LIGHT STABILISED.
- OUTER SHEATH- P.V.C. LEVEL OF DEHP IN P.V.C. MUST BE <1000PPM.
- CONNECTORS MUST CONFORM TO STANDARD INTERFACE DIMENSIONS SHOWN.
- SAMPLES TO BE APPROVED BY PANORAMA ANTENNAS Q.C. BEFORE COMMENCING PRODUCTION.
- ALL MATERIALS USED MUST BE RoHS COMPLIANT.

SPECIFICATION VALUES:

- CABLE TO CONFORM TO THE FOLLOWING STANDARDS:
IEC 60332-1
IEC 60754-1/2
IEC 1034



01019	1	PRODUCTION ISSUE	14/03/2013	PE
PCN	REV.	DESCRIPTION OF CHANGE	DATE	DRAWN
REVISIONS				

PRODUCT/ASSEMBLY CABLES AND CABLE ASSEMBLIES		DESCRIPTION SMA PLUG -SMA REVERSE POLARITY PLUG. 3m CS32 CABLE ASSEMBLY.		
MATERIAL N/A		APPROVED KD	DO.CHECK KD	SCALE 1:1
FINISH N/A		DIMENSIONS IN mm		
WEIGHT 118g	SHEET 1 OF 1			

