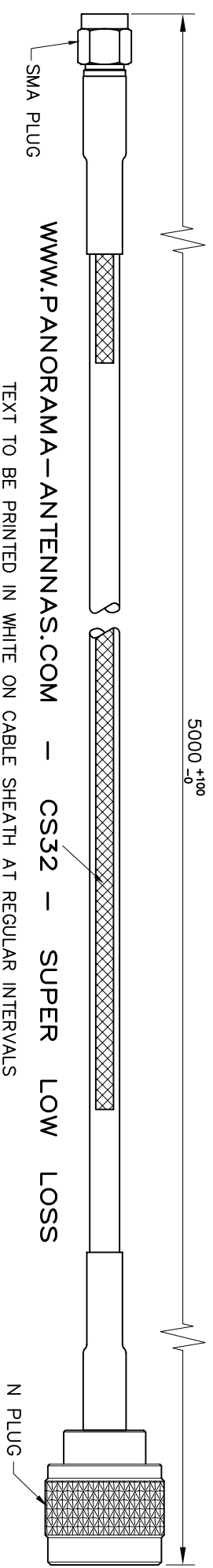
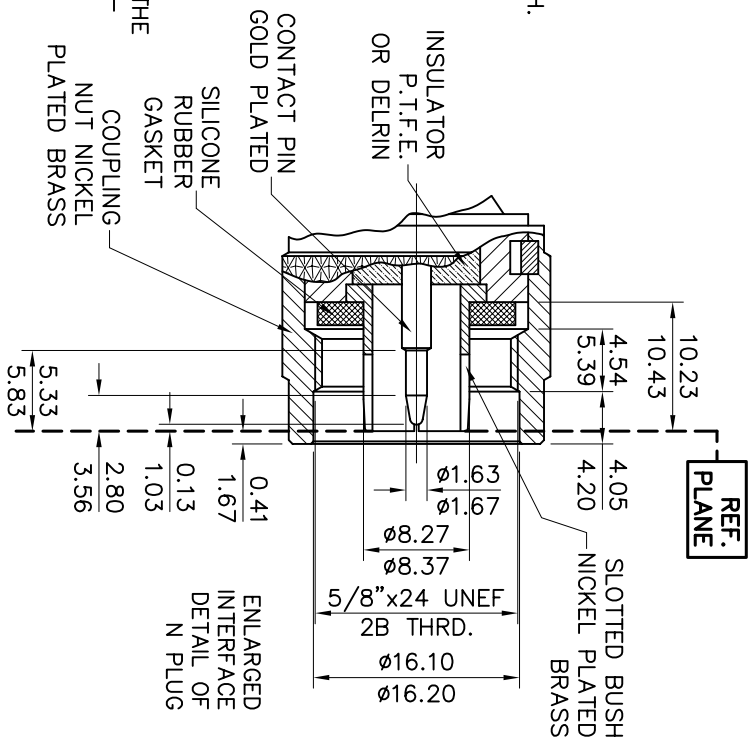


- ELECTRICAL TEST - EACH CABLE**
1. CENTRE CONDUCTOR/OUTER SCREEN ISOLATION 1KV MIN.
  2. CENTRE CONDUCTOR END TO END TEST.
- TENSILE PULL TEST SAMPLE/ASSEMBLY PER 3000 BATCH.**
1. PULLING LOAD - CONNECTOR BODY - 5kg.
  2. PULLING LOAD - CENTRE PIN - 2kg.

- CS32 CABLE PERFORMANCE TEST SAMPLE PER 10000m BATCH.**
1. VSWR: -UP TO 1GHz. < 1.1:1  
1GHz. TO 5.8GHz. < 1.15:1
  4. ATTENUATION:-  
NO GREATER THAN 4dB.  
PER 10m AT 1 GHz.  
NO GREATER THAN 6.5dB  
PER 10m AT 2.5GHz.  
NO GREATER THAN 10dB  
PER 10m AT 5.8GHz.

- BRAID RESISTANCE TEST**
1. BRAID RESISTANCE PER 10m LESS THAN 160mΩ
- NOTES:-**
1. OUTER SHEATH MUST BE U.V. LIGHT STABILIZED.
  2. ALL PARTS MUST BE ROHS COMPLIANT.
  3. BOTH CONNECTORS MUST CONFIRM TO STANDARD INTERFACE DIMENSIONS SHOWN.

- SPECIFICATION VALUES:-**
1. CABLE TO CONFORM TO THE FOLLOWING STANDARDS :-  
IEC 60332-1  
IEC 60754-1/2  
IEC 1034



WWW.PANORAMA-ANTENNAS.COM - CS32 - SUPER LOW LOSS

TEXT TO BE PRINTED IN WHITE ON CABLE SHEATH AT REGULAR INTERVALS

01019	1	29.01.13	K.D.
C/NOTE	ISSUE	DATE	APPROVAL

TOLERANCES UNLESS OTHERWISE STATED
0 DEC. PLACE ±0.5 2 DEC. PLACES ±0.1
1 DEC. PLACE ±0.2 ANGULAR ±1°
MATERIAL
FINISH

TITLE			
SMA PLUG - N PLUG			
5m CS32 COAX CABLE ASSEMBLY			
DRAWN	DO.CHECK	SCALE	DIMENSIONS
A.G.	K.D.	1:1	IN mm
<b>PANORAMA ANTENNAS</b>			