

PROJECTION

DO NOT SCALE



DENOTES LATEST ISSUE CHANGES

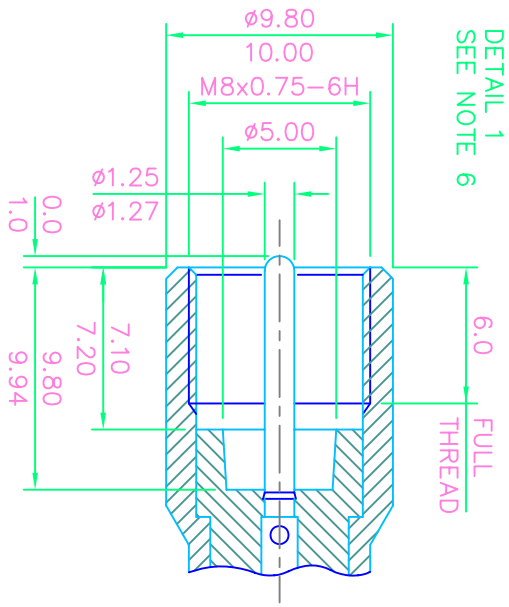
© 2009 A4

THIS DOCUMENT MUST NOT BE COPIED OR DISCLOSED TO A THIRD PARTY WITHOUT THE WRITTEN CONSENT OF PANORAMA ANTENNAS LTD.

DRG. No.

C74-FP-10-SMAP

DETAIL 1  
SEE NOTE 6

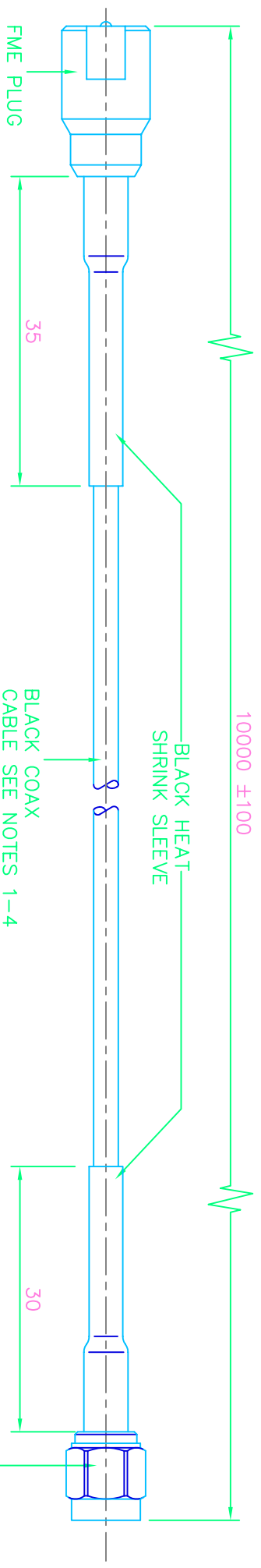
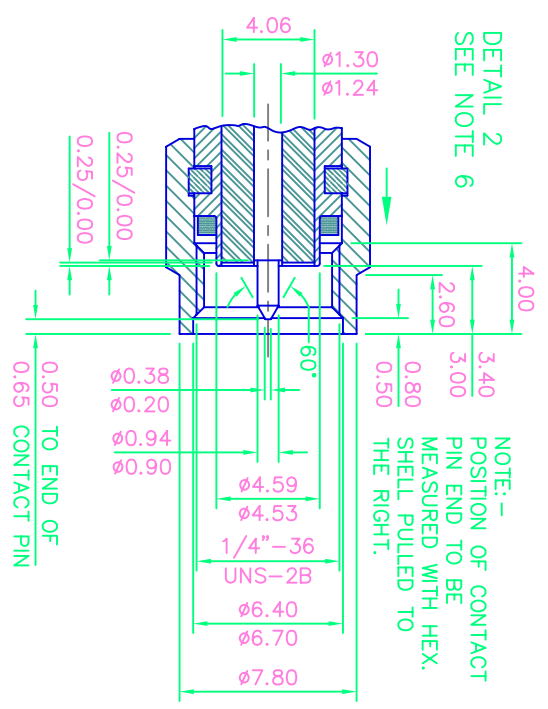


- CABLE SPECIFICATION NOTES :-
1. DIMENSIONS AND CONSTRUCTION TYPICAL OF JIS 1.5D-2V OR RG174A
  2. DIELECTRIC MATERIAL CROSS LINK POLYTHENE
  3. IMPEDANCE - 50 OHMS
  4. ATTENUATION - 1.25dB/m @1.575GHZ

GENERAL NOTES :-

5. MINIMUM CONNECTOR PULL OFF FORCE - 50N
6. CONNECTORS MUST CONFORM TO STANDARD INTERFACE DIMENSIONS SHOWN IN DETAIL 1 & 2
7. ALL MATERIALS USED MUST BE ROHS COMPLIANT

DETAIL 2  
SEE NOTE 6



01019	1	26.10.09	K.D.	TOLERANCES UNLESS OTHERWISE STATED 0 DEC. PLACE ±0.5 2 DEC. PLACES ±0.1 1 DEC. PLACE ±0.2 ANGULAR ±1°	TITLE FME(m) - SMA(m) RG174 COAX CABLE 10m LONG
C/NOTE	ISSUE	DATE	APPROVAL	MATERIAL	DRAWN P.E.
				FINISH	DO.CHECK K.D.
					SCALE 3:2
					DIMENSIONS IN mm

