



•Patch lead with CRC9 Connector

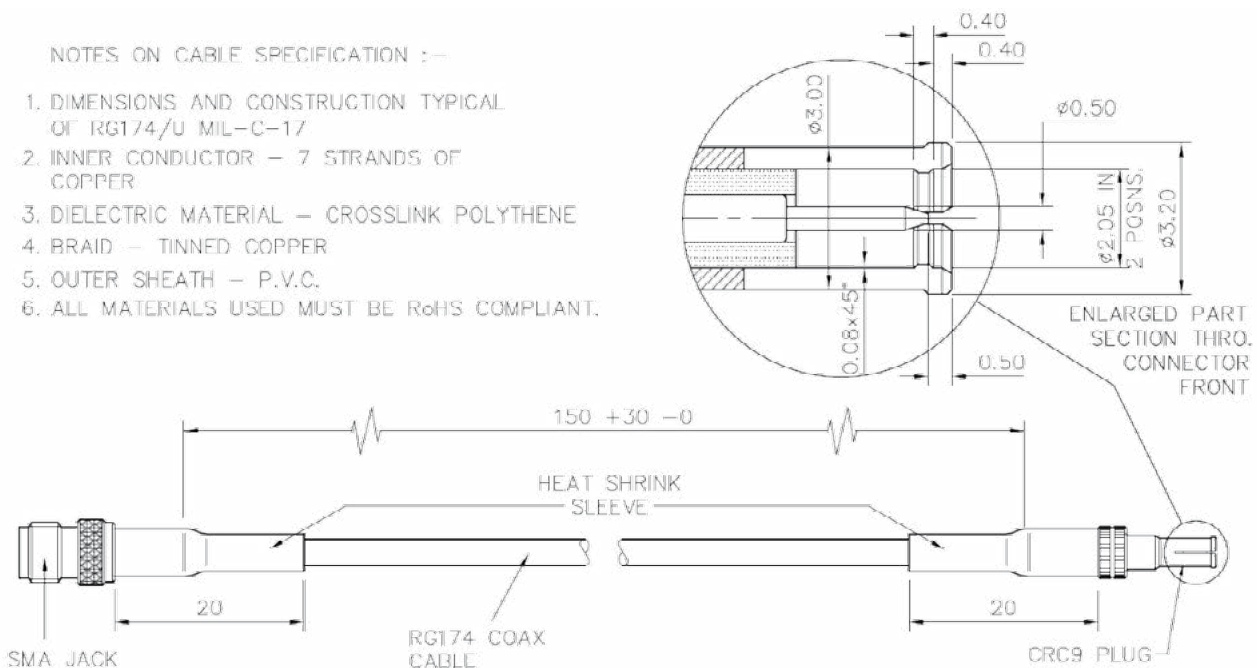
Connecting an external antenna to a 3G modem or data card can make a great difference to data transfer speeds. Panorama Adaptor leads are designed to fit most 3G Data Cards, Express Cards and USB modems that have antenna ports, transferring the signal to a more efficient antenna.

Panorama provides compatible adaptor leads for all major 3G modem and data card manufacturers and models.

Technical Drawing

NOTES ON CABLE SPECIFICATION :-

1. DIMENSIONS AND CONSTRUCTION TYPICAL OF RG174/U MIL-C-17
2. INNER CONDUCTOR - 7 STRANDS OF COPPER
3. DIELECTRIC MATERIAL - CROSSLINK POLYTHENE
4. BRAID - TINNED COPPER
5. OUTER SHEATH - P.V.C.
6. ALL MATERIALS USED MUST BE RoHS COMPLIANT.



Part No.	
	C74-SJ-015-CRC9
Cable Data	
Type	C74
Impedance	50Ω
Attenuation	1.25dB/m @ 1.575GHz
Outer Diameter (mm)	2.5 (0.1")
Outer Jacket	Black Flexible PVC
Length (mm)	15 (0.6")
Connector Data	
Termination 1	CRC9 Plug
Termination 2	SMA Socket



Panorama Antennas Ltd
 Frogmore, London, SW18 1HF, United Kingdom

T: +44 (0)20 8877 4444
 F: +44 (0)20 8877 4477
 E: sales@panorama-antennas.com
www.panorama-antennas.com

Waiver: The data given above is indicative of the performance of the product/s under particular conditions and does not imply a guarantee of performance. These specifications are subject to change without notice.

Copyright © Panorama Antennas Ltd. All rights reserved.