

C74 Adaptor Cable Assembly

C74-SJ-010-TS9S

Patch lead with TS9 Connector



Connecting an external antenna to a cellular modem or router can make a great difference to data transfer speeds. Panorama Adaptor leads are designed to fit most 3G routers, hubs, MiFi devices and USB modems that have antenna ports, transferring the signal to a more efficient antenna.

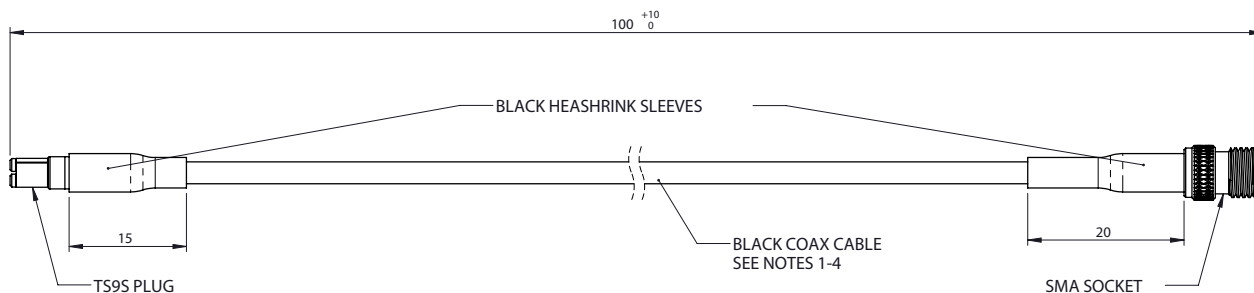
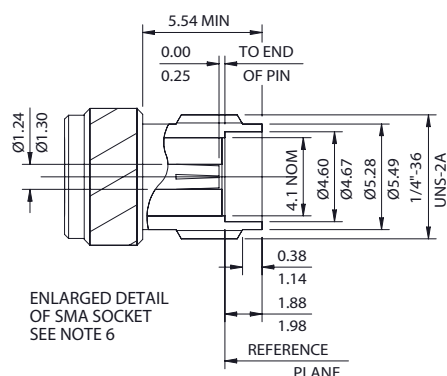
Technical Drawing

CABLE SPECIFICATION NOTES :-

1. DIMENSIONS AND CONSTRUCTION TYPICAL OF JIS 1.5D-2V OR RG174A.
2. DIELECTRIC MATERIAL CROSS LINK POLYTHENE.
3. IMPEDANCE - 50 OHMS.
4. ATTENUATION - 1.25dB/m @1.575GHz.

GENERAL NOTES :-

5. MINIMUM CONNECTOR PULL OFF FORCE - 50N.
6. BOTH CONNECTORS MUST CONFORM TO STANDARD INTERFACE DIMENSIONS (FOR SMA SOCKET SEE ENLARGED DETAIL).
7. ALL MATERIALS USED MUST BE RoHS COMPLIANT.



C74 Adaptor Cable Assembly

C74-SJ-010-TS9S

Product Data

Part No.

C74-SJ-010-TS9S

Cable Data

Type	C74
Impedance	50Ω
Attenuation	1.25dB/m @ 1.575GHz
Outer Diameter (mm)	2.5 (0.1")
Outer Jacket	Black Flexible TPE
Length (mm)	100 (3.9")

Connector Data

Termination 1	TS9 Plug
Termination 2	SMA Socket