

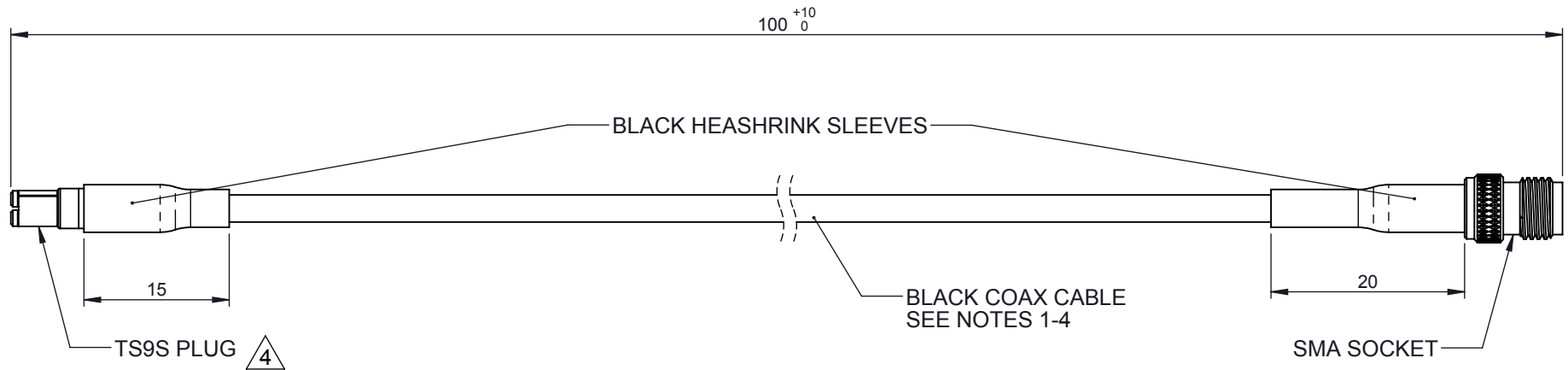
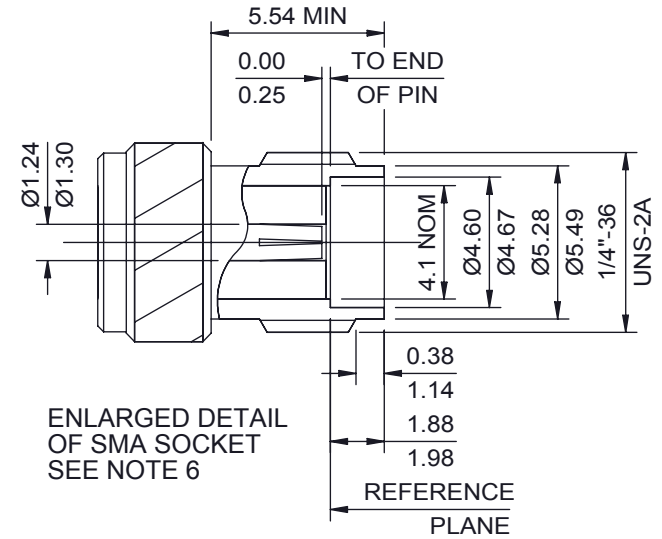
TOLERANCES UNLESS OTHERWISE STATED			
0 DEC. PLACE	±0.5	2 DEC. PLACES	±0.1
1 DEC. PLACE	±0.2	ANGULAR	±1°

CABLE SPECIFICATION NOTES :-

1. DIMENSIONS AND CONSTRUCTION TYPICAL OF JIS 1.5D-2V OR RG174A.
2. DIELECTRIC MATERIAL CROSS LINK POLYTHENE.
3. IMPEDANCE - 50 OHMS.
4. ATTENUATION - 1.25dB/m @1.575GHz.

GENERAL NOTES :-

5. MINIMUM CONNECTOR PULL OFF FORCE - 50N.
6. BOTH CONNECTORS MUST CONFORM TO STANDARD INTERFACE DIMENSIONS (FOR SMA SOCKET SEE ENLARGED DETAIL).
7. ALL MATERIALS USED MUST BE RoHS COMPLIANT.



C

D

PCN	REV.	DESCRIPTION OF CHANGE	DATE	DRAWN
01019	4	TS9 PLUG UPDATED	25/06/2012	PE
01019	3	REDRAWN. HEATSHRINK LENGTH REDUCED.	06/02/2012	PE
REVISIONS				

PRODUCT/ASSEMBLY CABLES AND CABLE ASSEMBLIES		DESCRIPTION SMA SOCKET - SMK TS9S PLUG. RG174 COAX CABLE 100mm LONG.			
MATERIAL N/A		APPROVED KD	DO.CHECK KD	SCALE 3:2	DIMENSIONS IN mm
FINISH N/A		PANORAMA ANTENNAS			
WEIGHT 3.5 g	SHEET 1 OF 1				