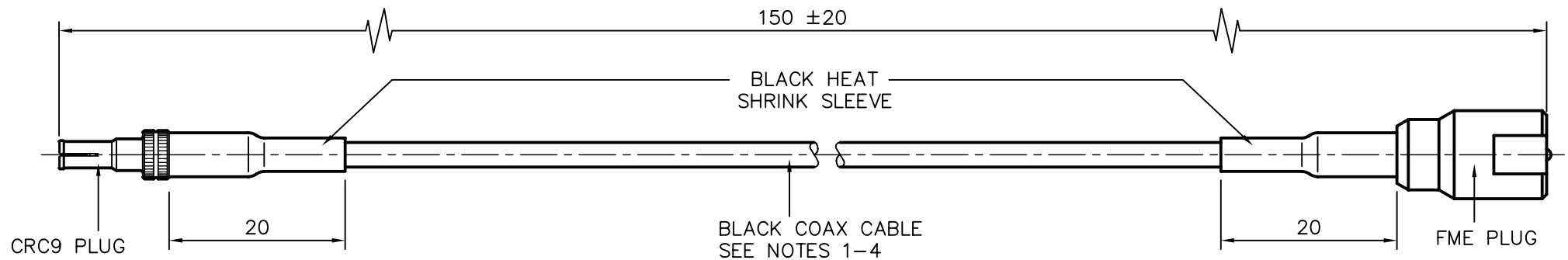
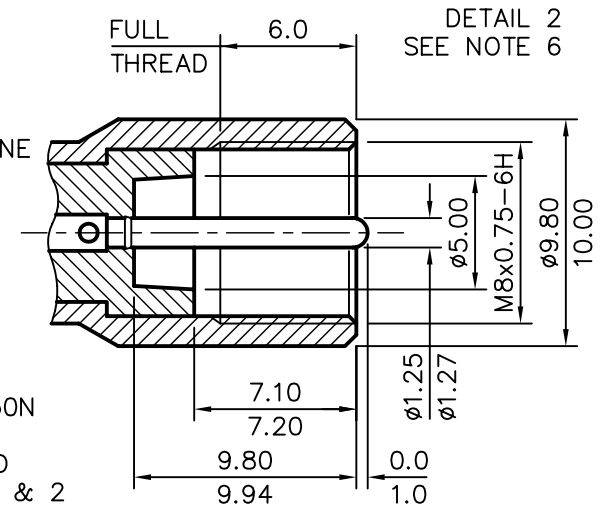
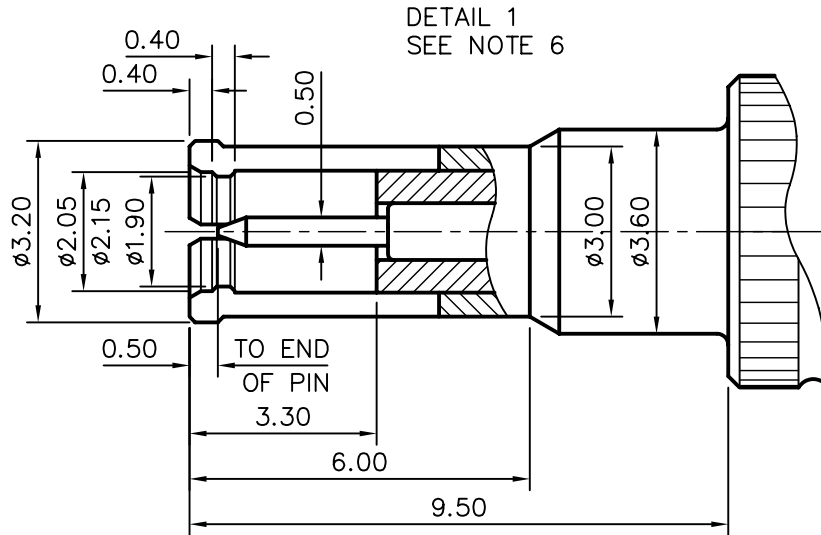


CABLE SPECIFICATION NOTES :-

1. DIMENSIONS AND CONSTRUCTION TYPICAL OF JIS 1.5D-2V OR RG174A
2. DIELECTRIC MATERIAL CROSS LINK POLYTHENE
3. IMPEDANCE - 50 OHMS
4. ATTENUATION - 1.25dB/m @1.575GHz

GENERAL NOTES :-

5. MINIMUM CONNECTOR PULL OFF FORCE - 50N
6. CONNECTORS MUST CONFORM TO STANDARD INTERFACE DIMENSIONS SHOWN IN DETAIL 1 & 2
7. ALL MATERIALS USED MUST BE RoHS COMPLIANT



3 REDRAWN WITH CONNECTOR INTERFACE DIMENSIONS ADDED

01019	1	10.8.06	K.D.	TOLERANCES UNLESS OTHERWISE STATED 0 DEC. PLACE ±0.5 2 DEC. PLACES ±0.1 1 DEC. PLACE ±0.2 ANGULAR ±1°
01019	2	8.4.09	A.J.	
01019	3	29.4.09	A.J.	
				MATERIAL
				FINISH
C/NOTE	ISSUE	DATE	APPROVAL	

TITLE			
FME(m) - CRC9 PLUG RG174 COAX CABLE 0.15m LONG			
DRAWN T.S.	DO.CHECK K.D.	SCALE 3:2	DIMENSIONS IN mm
PANORAMA ANTENNAS			