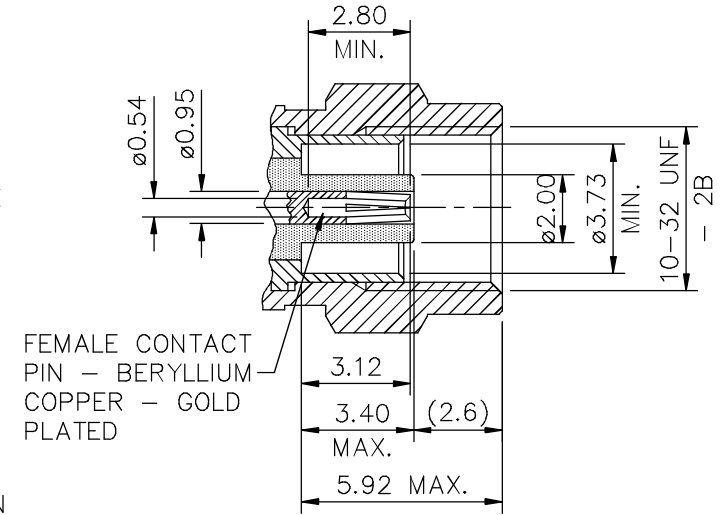


CABLE SPECIFICATION NOTES :-

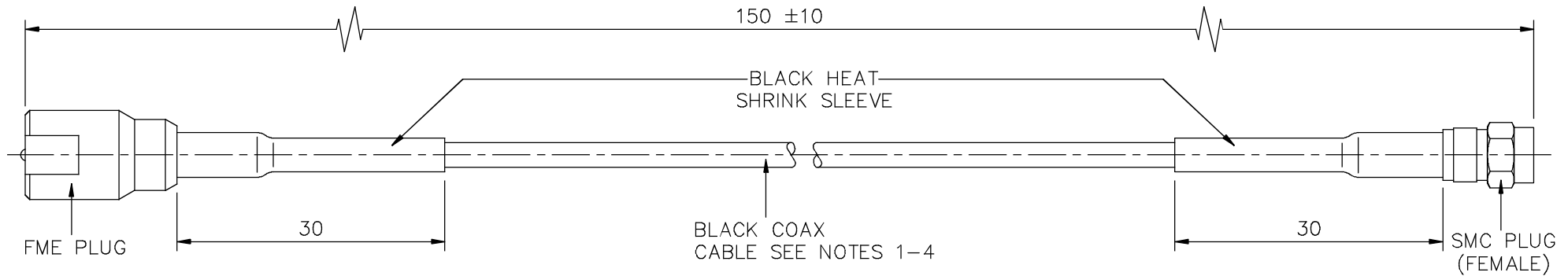
1. DIMENSIONS AND CONSTRUCTION TYPICAL OF JIS 1.5D-2V OR RG174A
2. DIELECTRIC MATERIAL CROSS LINK POLYTHENE
3. IMPEDANCE - 50 OHMS
4. ATTENUATION - 1.25dB/m @1.575GHz

GENERAL NOTES :-

5. MINIMUM CONNECTOR PULL OFF FORCE - 50N
6. CONNECTORS MUST CONFORM TO STANDARD INTERFACE DIMENSIONS SHOWN IN DETAIL 1 & 2
7. ALL MATERIALS USED MUST BE RoHS COMPLIANT



DETAIL 2  
SEE NOTE 6



01019	1	01.07.13	K.D.	TOLERANCES UNLESS OTHERWISE STATED 0 DEC. PLACE ±0.5 2 DEC. PLACES ±0.1 1 DEC. PLACE ±0.2 ANGULAR ±1°
				MATERIAL
				FINISH
C/NOTE	ISSUE	DATE	APPROVAL	

TITLE FME(m) - SMC(m) RG174 COAX CABLE 0.15m LONG			
DRAWN P.E.	DO.CHECK K.D.	SCALE 3:2	DIMENSIONS IN mm
<b>PANORAMA ANTENNAS</b>			