

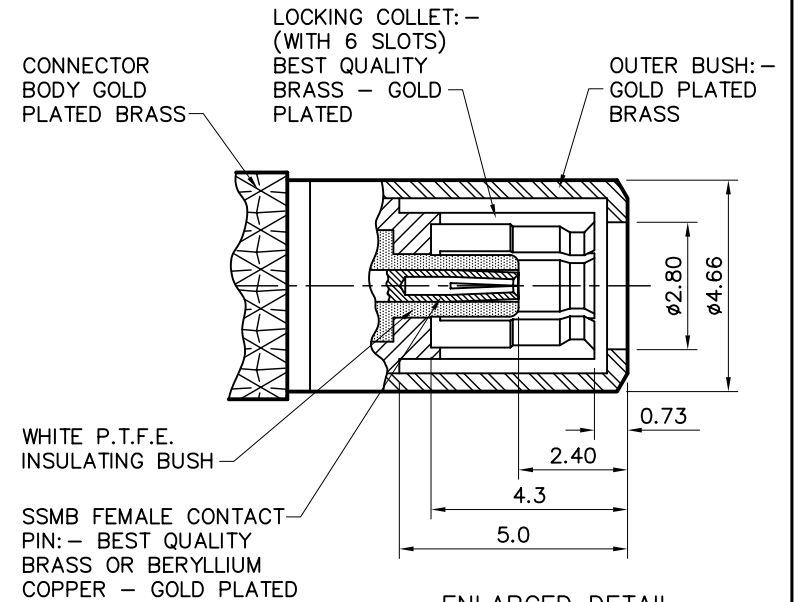
2 ENLARGED DETAIL OF FME PLUG - SEE NOTE 6

CABLE SPECIFICATION NOTES :-

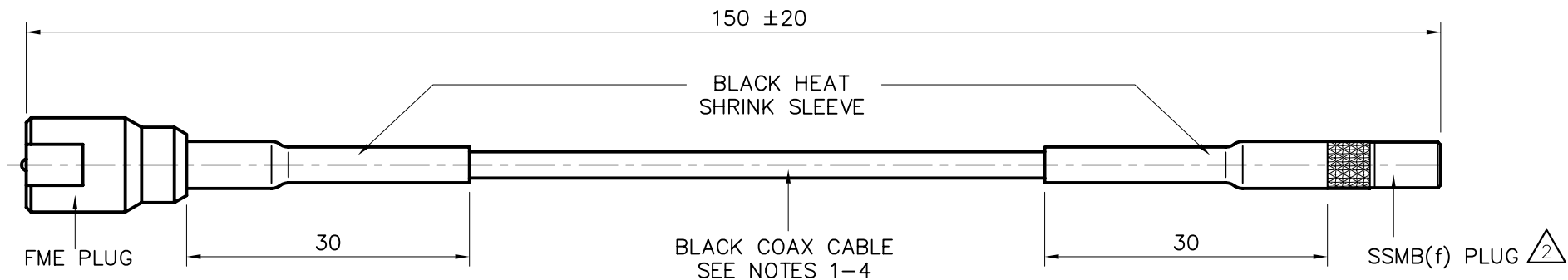
1. DIMENSIONS AND CONSTRUCTION TYPICAL OF JIS 1.5D-2V OR RG174A
2. DIELECTRIC MATERIAL CROSS LINK POLYTHENE
3. IMPEDANCE - 50 OHMS
4. ATTENUATION - 1.25dB/m @1.575GHz

GENERAL NOTES :-

5. MINIMUM CONNECTOR PULL OFF FORCE - 50N
6. CONNECTORS MUST CONFORM TO STANDARD INTERFACE DIMENSIONS SHOWN IN DETAIL 1 & 2
7. ALL MATERIALS USED MUST BE RoHS COMPLIANT



2 ENLARGED DETAIL OF SSMB(f) PLUG - SEE NOTE 1.



2 REDRAWN WITH CONNECTORS INTERFACE DIMENSIONS ADDED

01019	1	2.7.08	K.D.	TOLERANCES UNLESS OTHERWISE STATED 0 DEC. PLACE ±0.5 2 DEC. PLACES ±0.1 1 DEC. PLACE ±0.2 ANGULAR ±1°
01019	2	14.8.09	K.D.	
				MATERIAL
				FINISH
C/NOTE	ISSUE	DATE	APPROVAL	

TITLE 2 FME(m) - SSMB(f) PLUG  
RG174 COAX CABLE 150mm LONG

DRAWN B.L. DO.CHECK K.D. SCALE 3:2 DIMENSIONS IN mm