



PROJECTION



DO NOT SCALE



DENOTES LATEST ISSUE CHANGES

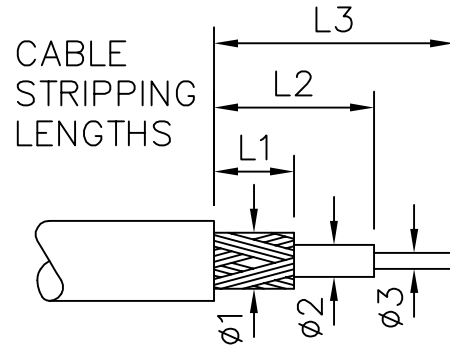
© 2011 A4

THIS DOCUMENT MUST NOT BE COPIED OR DISCLOSED TO A THIRD PARTY WITHOUT THE WRITTEN CONSENT OF PANORAMA ANTENNAS LTD.

DRG. No.

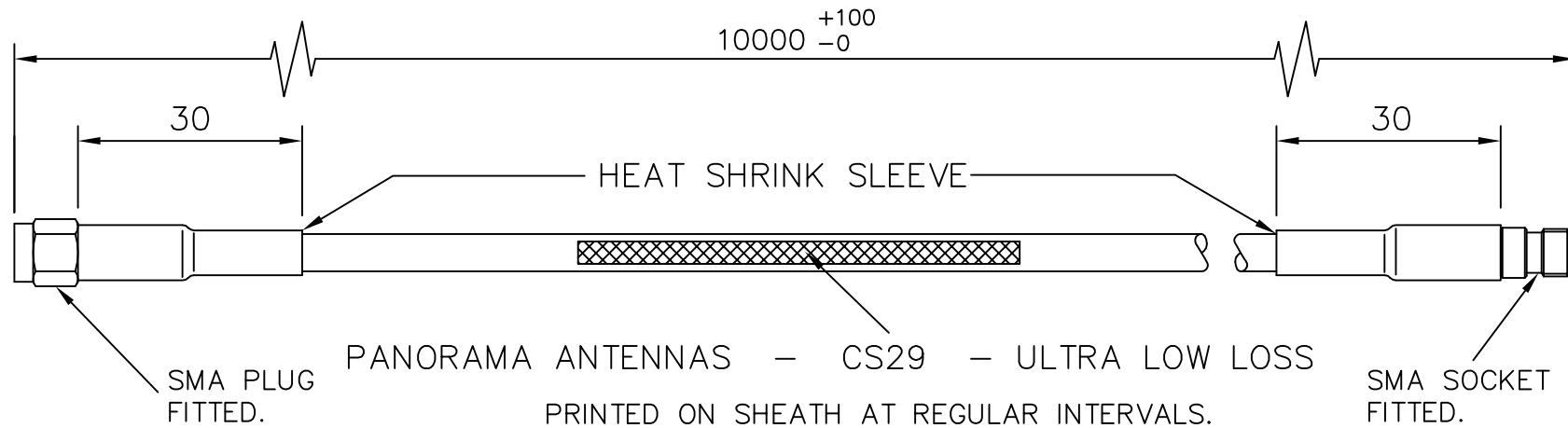
C29SP-10SJ

CABLE	TERMINATION	LENGTHS-DIAMETERS					
		STEP 1		STEP 2		STEP 3	
		L1	∅1	L2	∅2	L3	∅3
URM76	SMA	5.5	3.6	7.1	2.84	10.6	0.98



SPECIFICATION VALUES

- CHARACTERISTIC IMPEDANCE: -
50Ω ±2Ω AT 1GHz.
50Ω ±4Ω AT 2GHz.
- ATTENUATION: -
NO GREATER THAN 3dB
PER 10m AT 1 GHz.
NO GREATER THAN 4.5dB
PER 10m AT 2GHz.
- BRAID RESISTANCE PER 10m
LESS THAN 160mΩ



01019	1	11.11.11	K.D.	TOLERANCES UNLESS OTHERWISE STATED 0 DEC. PLACE ±0.5 2 DEC. PLACES ±0.1 1 DEC. PLACE ±0.2 ANGULAR ±1'
				MATERIAL
				FINISH
C/NOTE	ISSUE	DATE	APPROVAL	

TITLE SMA(m)-SMA(f) 10m CS29 COAX CABLE ASSEMBLY			
DRAWN P.E.	DO.CHECK A.T.B.	SCALE 1:1	DIMENSIONS IN mm
PANORAMA ANTENNAS			

THIS IS A PROPRIETARY ITEM OF PANORAMA ANTENNAS LTD. AND COULD BE SUBJECT TO CHANGE WITHOUT PRIOR NOTICE. THIS ITEM IS RoHS COMPLIANT.