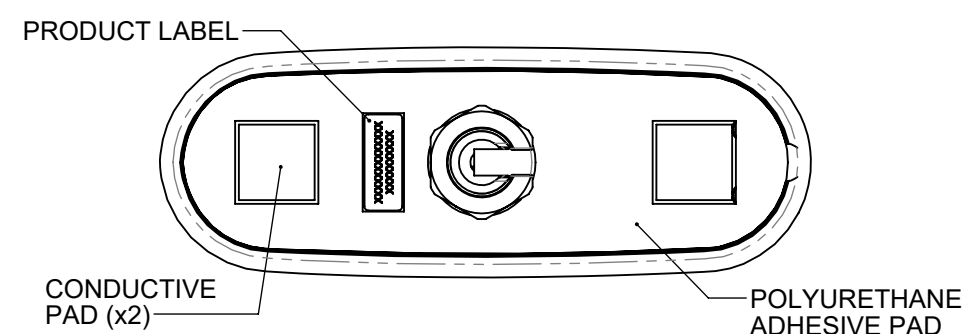
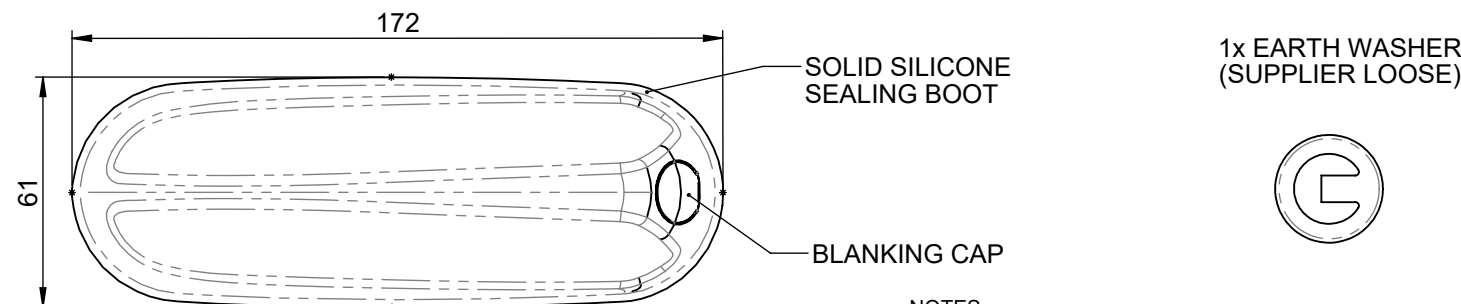
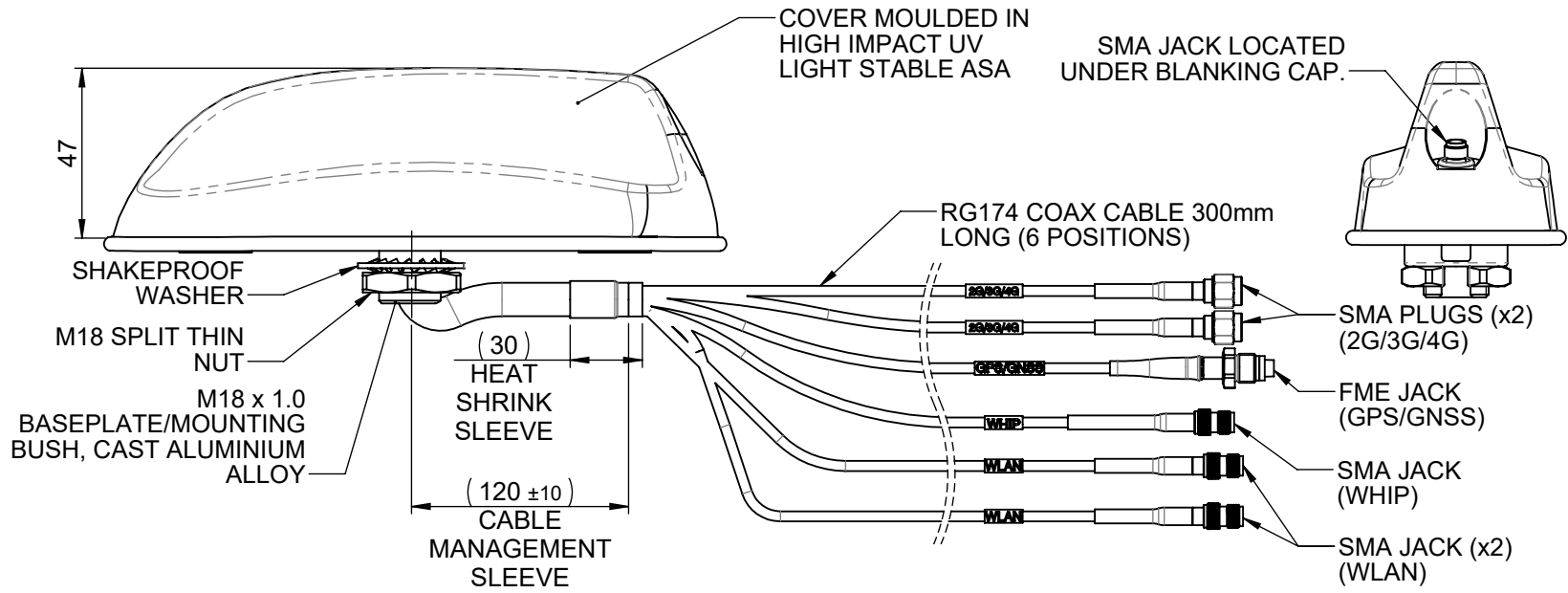
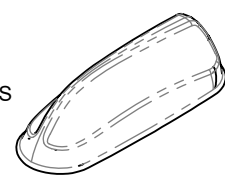


OPERATING FREQUENCIES:  
 CELLULAR: 698-960/1710-3800 MHz x2  
 GPS/GNSS: 1562-1612 MHz 26dB LNA  
 WIFI: 2.4/5.0 GHz x2



- NOTES:
- SAMPLES MUST BE APPROVED BY PANORAMA ANTENNAS Q.C. BEFORE COMMENCING PRODUCTION.
  - ALL MATERIALS SUPPLIED MUST BE RoHS2 (DIRECTIVE 2011/65/EU) COMPLIANT AND MUST NOT CONTAIN ANY SUBSTANCES OF VERY HIGH CONCERN (SVHCs) LISTED UNDER REACH OR POLY-AROMATIC HYDROCARBONS (PAHs), OR PERSISTENT ORGANIC POLLUTANTS (POPs) CONTROLLED BY THE STOCKHOLM CONVENTION.

ISO VIEW  
SCALE 1:5



DRG. No.	GPSDC-7-27-24-58		SHEET	1 OF 1
PRODUCT/ASSEMBLY	GPSDC			
DESCRIPTION	MIMO COAX GPS/GNSS 2G/3G/4G WLAN			
MATERIAL	N/A			
FINISH	N/A			
WEIGHT	585.67g			
APPROVED	KD	DO.CHECK	MM	
SCALE	1:2		DIMENSIONS IN mm	
DO NOT SCALE	3RD ANGLE PROJECTION			
01019	A	INITIAL ISSUE	12/09/2016	IC
01019	1	PRODUCTION ISSUE	17/01/2017	IC
01019	2	CABLE MANAGEMENT SLEEVE ADDED	07/03/2017	IC
01019	3	HEAT SHRINK SLEEVE ADDED	06/04/2017	IC
01019	4	PRODUCTION DRAWING UPDATES	25/10/2017	IC
PCN	REV.	DESCRIPTION	DATE	DRN
TOLERANCES UNLESS OTHERWISE STATED				
0 DEC. PLACE ±0.5		2 DEC. PLACES ±0.1		
1 DEC. PLACE ±0.2		ANGULAR ±1°		
	DENOTES LATEST ISSUE CHANGES			DENOTES CRITICAL VALUE
		PANORAMA ANTENNAS		
THIS DOCUMENT MUST NOT BE COPIED OR DISCLOSED TO A THIRD PARTY WITHOUT THE WRITTEN CONSENT OF PANORAMA ANTENNAS LTD.				
© 2016			A4	