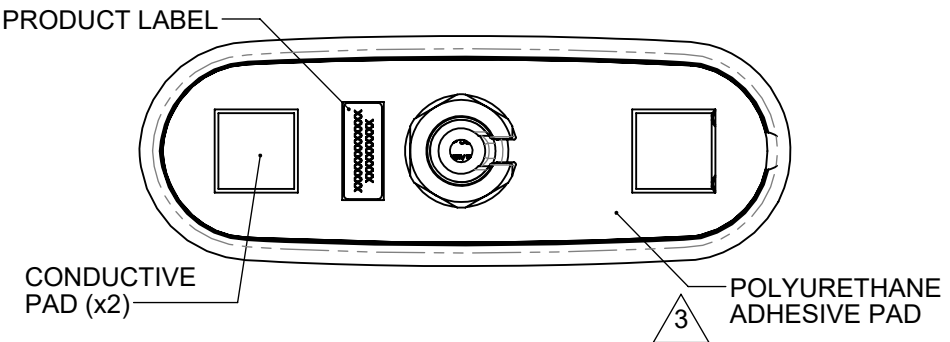
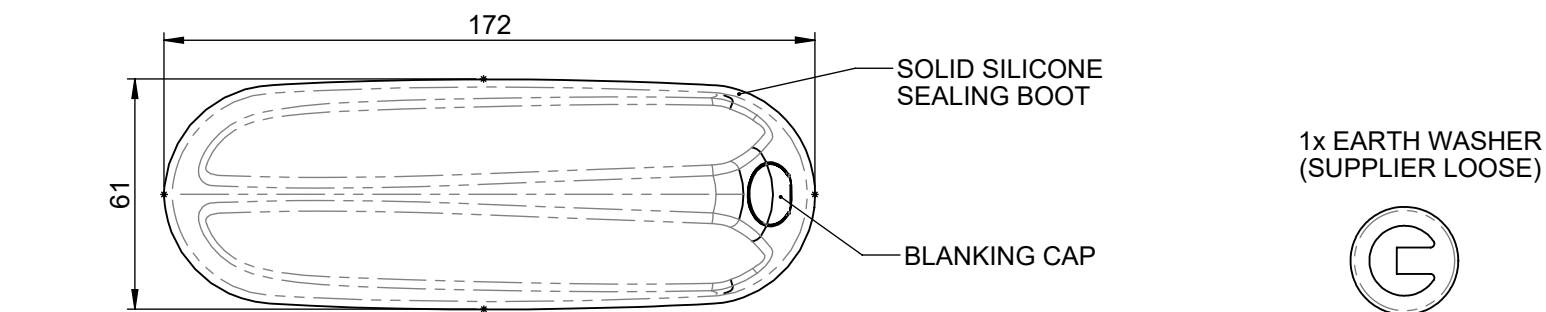
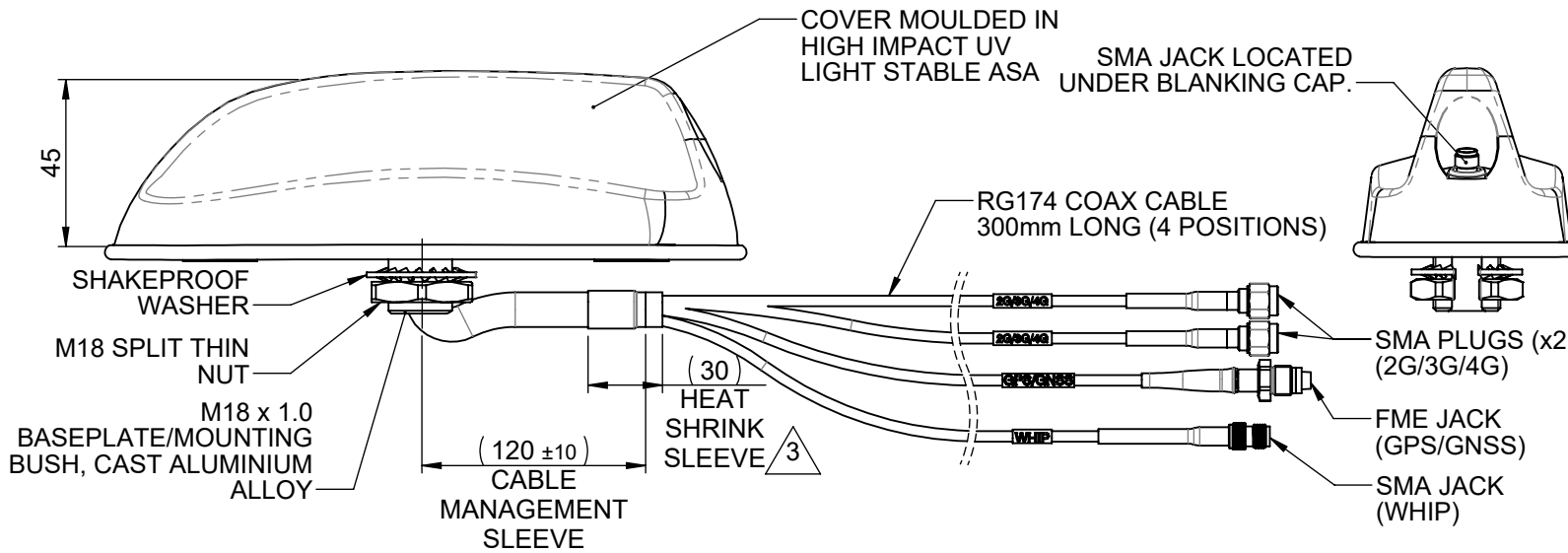


OPERATING FREQUENCIES 3

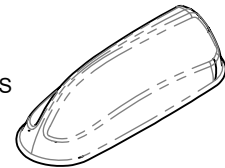
CELLULAR: 698 - 960 / 1710 - 3800 MHz x2  
GPS/GNSS: 1562-1612MHz 26dB LNA



NOTES:

- SAMPLES MUST BE APPROVED BY PANORAMA ANTENNAS Q.C. BEFORE COMMENCING PRODUCTION.
- ALL MATERIALS SUPPLIED MUST BE RoHS2 (DIRECTIVE 2011/65/EU) COMPLIANT AND MUST NOT CONTAIN ANY SUBSTANCES OF VERY HIGH CONCERN (SVHCs) LISTED UNDER REACH OR POLY-AROMATIC HYDROCARBONS (PAHs), OR PERSISTENT ORGANIC POLLUTANTS (POPs) CONTROLLED BY THE STOCKHOLM CONVENTION.

ISO VIEW  
SCALE 1:5



|   |                                |   |            |                        |
|---|--------------------------------|---|------------|------------------------|
| DRG. No.  | GPSDC-7-27                     |   | SHEET      | 1 OF 1                 |
| PRODUCT/ASSEMBLY  | GPSDC                          |   |            |                        |
| DESCRIPTION   | MIMO COAX GPS/GNSS<br>2G/3G/4G |   |            |                        |
| MATERIAL  | N/A                            |   |            |                        |
| FINISH  | N/A                            |   |            |                        |
| WEIGHT  | 571.57g                        |   |            |                        |
| APPROVED  | JJ                             | DO.CHECK  | MM         |                        |
| SCALE   | 1:2                            | DIMENSIONS IN mm  |            |                        |
| DO NOT SCALE  | 3RD ANGLE PROJECTION           |   |            |                        |
| 01019   | A                              | INITIAL ISSUE   | 12/09/2016 | IC                     |
| 01019   | 1                              | PRODUCTION ISSUE  | 17/01/2017 | IC                     |
| 01019   | 2                              | CABLE MANAGEMENT SLEEVE ADDED   | 10/03/2017 | IC                     |
| 01019   | 3                              | HEAT SHRINK SLEEVE ADDED  | 06/04/2017 | IC                     |
| PCN   | REV.                           | DESCRIPTION   | DATE       | DRN                    |
| TOLERANCES UNLESS OTHERWISE STATED                            |                                |   |            |                        |
| 0 DEC. PLACE  | ±0.5                           | 2 DEC. PLACES   | ±0.1       |                        |
| 1 DEC. PLACE  | ±0.2                           | ANGULAR   | ±1°        |                        |
| <span style="border: 1px solid black; padding: 2px;">3</span> | DENOTES LATEST ISSUE CHANGES   |   |            | DENOTES CRITICAL VALUE |
|   |                                | PANORAMA ANTENNAS<br>THIS DOCUMENT MUST NOT BE COPIED OR DISCLOSED TO A THIRD PARTY WITHOUT THE WRITTEN CONSENT OF PANORAMA ANTENNAS LTD. |            |                        |
|   |                                | © 2016  | A4         |                        |