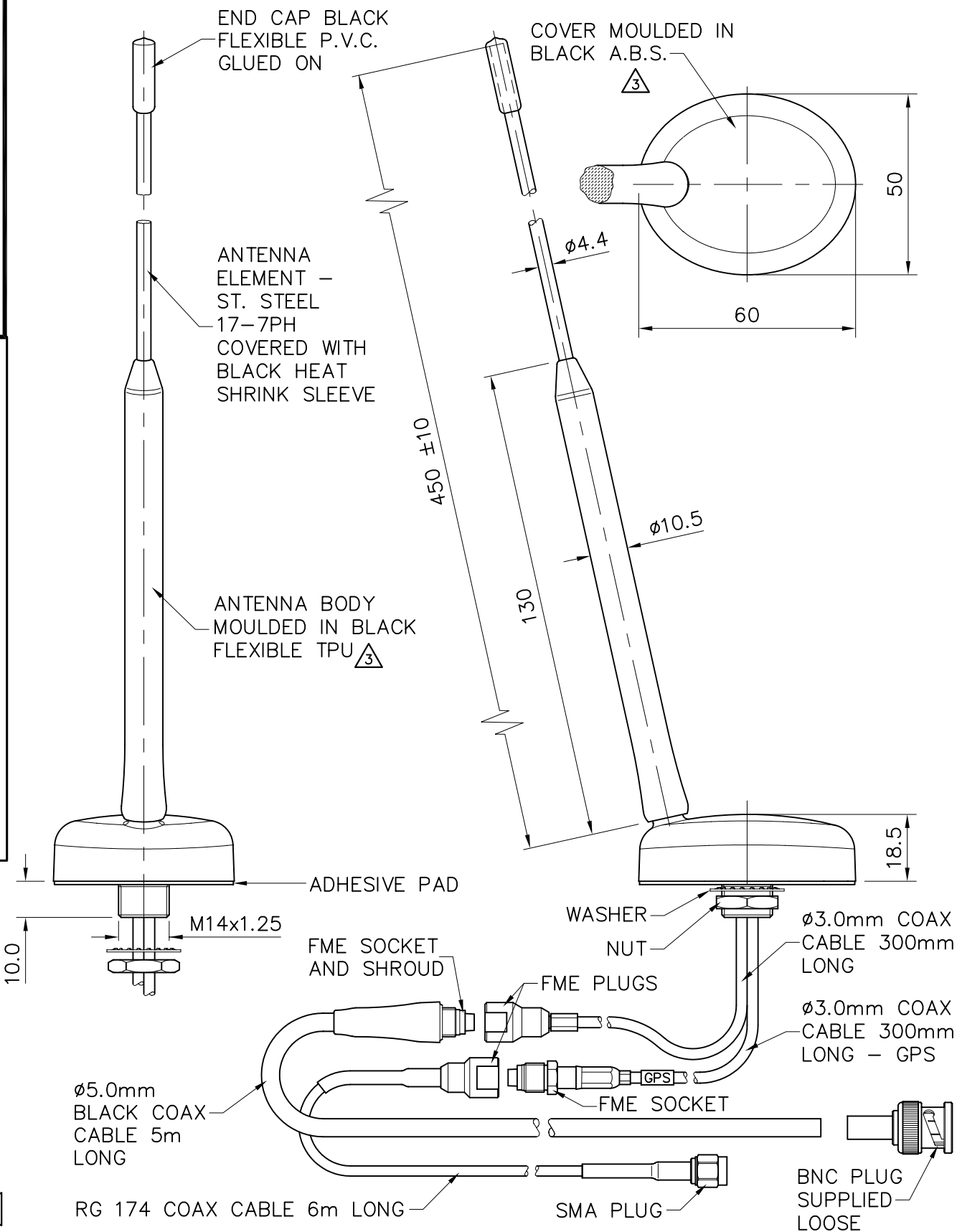




DRG. No. GPSK-395G-MOT-SP

THIS IS A PROPRIETARY ITEM OF PANORAMA ANTENNAS LTD. AND COULD BE SUBJECT TO CHANGE WITHOUT PRIOR NOTICE. THIS ITEM IS RoHS COMPLIANT.

— DENOTES LATEST ISSUE CHANGES



01019	1	19.03.12	K.D.	TOLERANCES UNLESS OTHERWISE STATED 0 DEC. PLACE ±0.5 2 DEC. PLACES ±0.1 1 DEC. PLACE ±0.2 ANGULAR ±1°
01019	2	19.06.13	K.D.	
01019	3	12.06.14	K.D.	
				MATERIAL
				FINISH
C/NOTE	ISSUE	DATE	APPROVAL	

TITLE  
**3dB PANEL MOUNT 380-410MHz + GPS ANTENNA + CABLES**

DRAWN P.E.	DO.CHECK K.D.	SCALE 1:1.5	DIMENSIONS IN mm
---------------	------------------	----------------	---------------------

**PANORAMA ANTENNAS**